

Slot diffuser**11002389****LINED® Combined TP fixed**

The LINED® Combined is an aluminium linear adjustable slot diffuser for use on combined air supply and return systems in non-residential buildings.



LINED COMBINED TP FIXED

PRODUCT BENEFITS

- space savings: air supply and extraction with a single diffuser,
- extremely low recycling rate: < 5%,
- aesthetic and discreet: elegant design compatible with AldesArchitect® range, low noise level.

Principles of operation

The LINED® Combined diffuser is installed in a ceiling using its connection plenum. It combines simultaneous air supply and extraction in all ventilation and air conditioning applications.

Product description

The LINED® Combined is an aluminium linear slot diffuser for combined use on air supply and extraction circuits in ventilation and air conditioning systems in commercial buildings. The external bypass and internal recirculation rate is extremely low (< 5%), ensuring excellent air diffusion efficiency as well as the thermal and acoustic comfort of occupants. This diffuser is available with up to 8 slots and in dimensions of 500 to 2000 in increments of 5 mm. The opening model is limited to 1500 mm. It is installed in the ceiling using its built-in plenum. The diffuser body is made of anodised aluminium with a natural satin hue or painted RAL 9010 white matt 30% or other RAL colours, or the AldesArchitect® finish.

Fields of application

Non-residential buildings

Installation

The LINED® Combined diffuser is installed in a ceiling using its connection plenum.

Reference arguments

- Lined Combined TP aluminium adjustable slot diffuser for air supply / return.
- Very low recycling rate (< 5%).
- 1 to 8 slots of 25 mm.
- Adjustable diffusion using dirigible deflector in the centre of each slot. Vertical airflow possible.
- Body and deflectors made of extruded aluminium.
- Ceiling compensation plate, galvanised steel.
- Anodised aluminium, natural satin or epoxy paint finish or AldesArchitect colours.
- Compatible with T-Bar or Finline ceiling systems.
- Concealed attachment to plenum using self-tapping screws on sides of plenum (S2 type).
- Length: 600 to 1600 mm.
- Accessory: connection plenum.

Main characteristics

- diffuser and dedicated plenum for combined and simultaneous air supply and extraction,
- extremely low external bypass / internal recirculation rate in plenum (< 5%),
- excellent air diffusion efficiency as well as thermal and acoustic comfort of occupants,
- adjustable airflow using dirigible deflector in the centre of each slot,
- vertical airflow possible,
- for installation in ceiling,
- available in Standard, TP or Slim versions to adapt to ceiling types and integration styles,
- LINED® Combined STD / Slim / TP - O: air supply + extraction (opening for access to filter via push-push system),
- LINED® Combined STD / Slim / TP - F: air supply + extraction (non-opening / fixed, filterless),
- finish:
 - standard RAL 9010 white,
 - AldesArchitect®.

Supplementary characteristics

- options:
 - fresh air connection on extraction side,
 - damper built into plenum, accessible from front of diffuser on non-TP version and filterless version,
- G3 M1 filter in extraction part of plenum for opening diffusers.

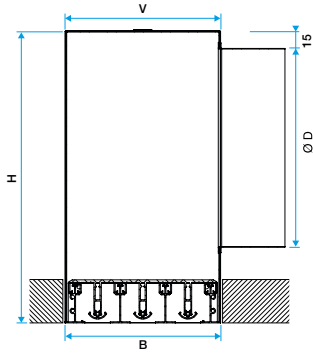
Slot diffuser

11002389

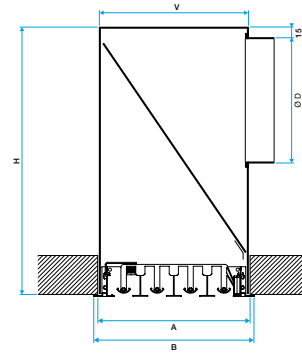
LINED® Combined TP fixed

Options

FILM
RAL DIF
RAL1
RAL2
RAL4

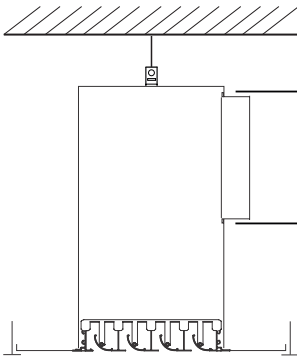


Lined Combined Standard Ouvrant Coté Reprise

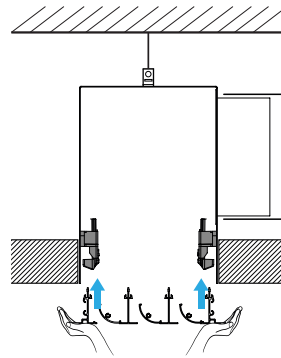


Lined Combined Slim Fixe Coté Reprise

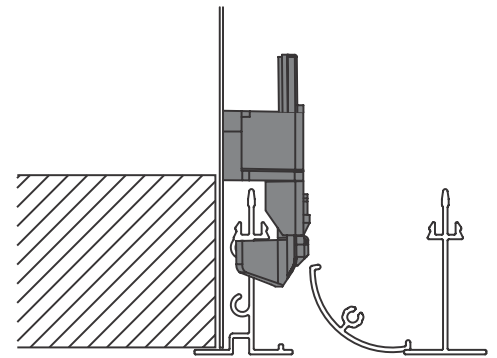
Installation visual 1



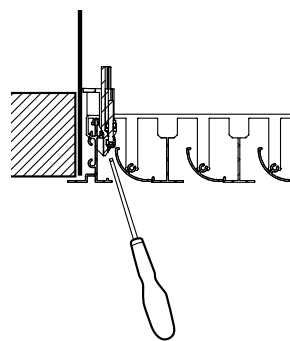
Diffuseur de soufflage avec fixation S2



Diffuseur de soufflage avec fixation S3



Gros plan fixation S3



Gros plan fixation S3 avec tournevis