

Slot diffuser

11002297
LINED® S

The LINED® is an aluminium linear adjustable slot diffuser for use on air supply or return systems in non-residential buildings.



LINED S

PRODUCT BENEFITS

- possible filter on extraction,
- possible linear strips,
- compatible with AldesArchitect® range.

Principles of operation

The LINED® diffuser is installed in a ceiling with a connection plenum. The air supply model delivers adjustable air diffusion using a dirigible deflector in the centre of each slot. The opening extraction model allows the use of a filter.

Product description

The LINED® is an aluminium linear slot diffuser for use on air supply or extraction circuits in ventilation and air conditioning systems in commercial buildings. This diffuser is available with up to 8 slots and from 300 to 2,000 mm with a pitch of 5 mm for air supply. The extraction model opens to enable insertion of a filter. Its length is limited to 1500 mm. It is installed on the ceiling using a plenum. The diffuser body is made of anodised aluminium with a natural satin hue or painted RAL 9010 white matt 30% or other RAL colours, or the AldesArchitect® finish.

Fields of application

Non-residential buildings

Installation

The LINED® diffuser is installed on the ceiling using a plenum, with choice of attachment method depending on the plenum and type of ceiling.

Main characteristics

- adjustable diffusion with dirigible deflector in centre of each slot,
- vertical diffusion possible,
- aluminium body,
- finishes:
 - natural anodised hue,
 - epoxy coating RAL 9010 white matt 30%,
 - AldesArchitect® finish,
- slot width 25 mm,
- LINED® S air supply model with dirigible deflectors,
- LINED® E extraction model with fixed deflectors,
- LINED® EO extraction model with fixed deflectors and opening central core for access to filter in connection plenum:
 - hinged-mounted core, push-push close,
 - available from 3 slots and more,
 - maximum length 1500 mm,
- concealed attachment to plenum:
 - adjustable and accessible from under the diffuser (type S3), or
 - directly by self-tapping screw on sides of plenum (type S2).
- the S2 attachment method is recommended for suspended ceilings and is not compatible with fixed ceilings (plaster or BA13).

Slot diffuser

11002297 LINED® S

Supplementary characteristics

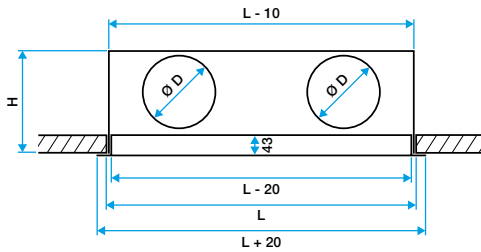
- accessories:
 - galvanised steel connection plenum with side branch connection, standard or insulated version,
 - G3 M1 filter,
 - spade damper fitted in plenum branch connection.

Accessories

Désignations	References
Plenum LINED	11002135

Options

RAL DIF
RAL1
RAL2
RAL4

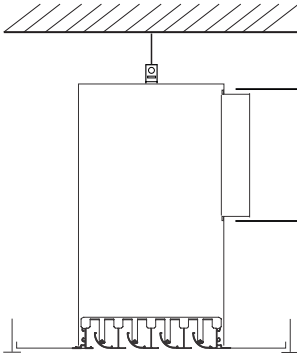


Lined S avec plénum. Fixation S2 ou S3

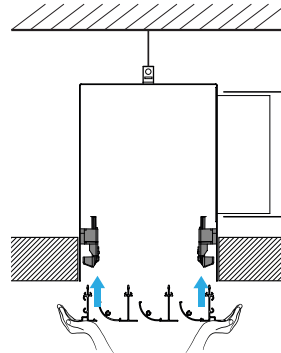
Lined EO avec plénum. Position ouverte avec filtre. Fixation S2

Diffuseur avec fixation S2 ou S3

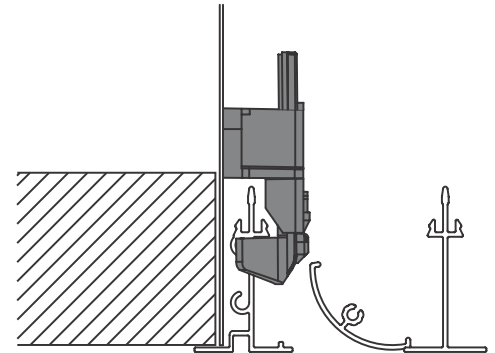
Installation visual 1



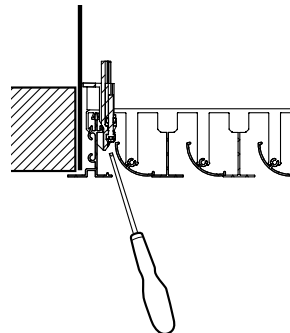
Diffuseur de soufflage avec fixation S2



Diffuseur de soufflage avec fixation S3



Gros plan fixation S3



Gros plan fixation S3 avec tournevis

Slot diffuser

11002297
LINED® S