

Sleeve, Sleeve**11011387**
MTC 160 KIT + SLEEVE

MTC is a sleeve for wall and insulation penetrations for air intake into multi-occupancy residential buildings.



Acoustic MTC sleeve

PRODUCT BENEFITS

- high acoustic performance: 47 to 53 dB,
- suitable for all Aldes air inlets: self-balanced, humidity-controlled and fixed,
- suitable for 100 or 125 mm diameter PVC circular openings.

Principles of operation

The MTC sleeve is installed inside the wall insulation to enable the installation of a terminal on the outside wall and using the MEA or the TM penetration sleeve, a self-balanced or humidity-controlled air inlet on the inside wall. The circular opening in the wall may be PVC with an external diameter of 125 mm. The A100 or A125 acoustic element is positioned inside the female circular sleeve and serves to improve its acoustic performance.

Product description

The MTC acoustic sleeve is made of galvanised metal sheet. It serves to install high-performance acoustic air inlets on wall penetrations.

Fields of application

Multi-occupancy residential housing, New, Refurbishment, Non-residential buildings

Installation

- Interior insulation, the MTC installed indoors within the wall insulation enables:
 - the installation of an air inlet on the inside wall using the MEA 45, MEA 85 or TM sleeve,
 - the installation of a terminal on the outside using a circular opening (e.g. PVC pipe).
- Exterior insulation, the MTC installed outdoors within the wall insulation enables:
 - the installation of an air inlet on the inside wall using the MEA 160 or MEA 200 sleeve,
 - the installation of a terminal on the outside using a circular opening (e.g. PVC pipe).

Reference arguments

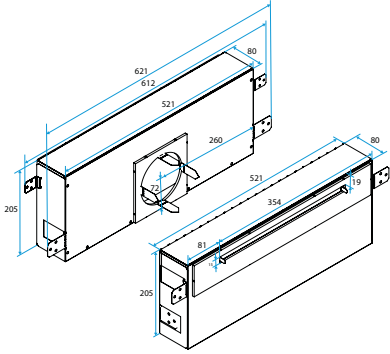
- The MTC 160 sleeve is made of galvanised sheet metal. It enables the installation of compensation valves with high acoustic performance in wall penetrations.

Sleeve, Sleeve

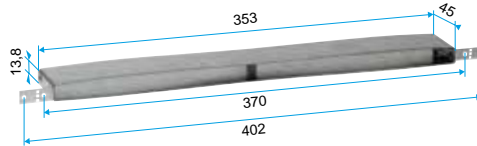
11011387 MTC 160 KIT + SLEEVE

Main characteristics

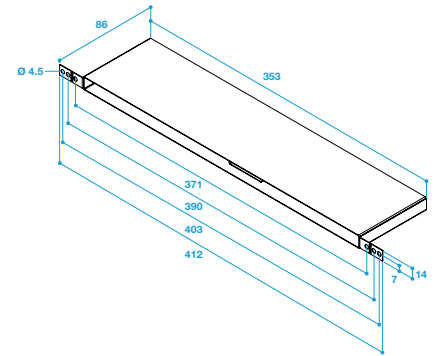
- MTC Acoustic is a sleeve that improves the acoustic performance of air inlets,
- MTC is compatible with self-balanced, humidity-controlled or fixed air inlets indoors:
- Outdoors, the MTC sleeve features a cavity compatible with the circular outdoor terminal GEB/GES.



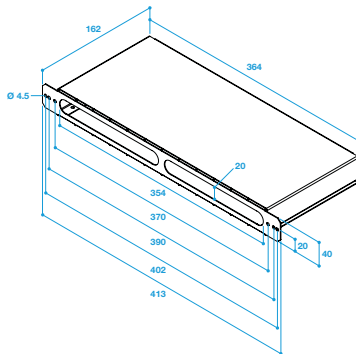
Encombremment manchon acoustique MTC



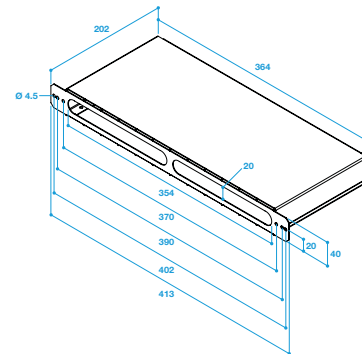
Encombremment MEA 45



Encombremment MEA 85

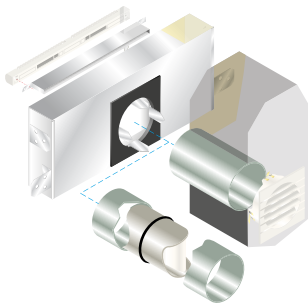


Encombremment MEA 160



Encombremment MEA 200

Installation visual 1



Mise en œuvre manchon MTC acoustique