

Sleeve, Sleeve

11011396

MTR Acoustic kit + MEA 200 mm

MTR is the rectangular acoustic wall penetration sleeve for multi-occupancy residential buildings.



Acoustic MTR sleeve

MEA 200 mm

PRODUCT BENEFITS

- aesthetic finish for façades,
- very high acoustic performance: from 51 to 54 dB,
- mortar seal around simple rectangular wall penetration.

Principles of operation

MTR is the rectangular acoustic wall penetration sleeve. The MTR Acoustic is made of galvanised metal sheet. It serves to install high-performance acoustic air inlets on wall penetrations. For linear aesthetics on building façades.

Product description

The MTR acoustic sleeve is made of galvanised metal sheet. It serves to install high-performance acoustic air inlets on wall penetrations.

Fields of application

Multi-occupancy residential housing, New, Refurbishment, Non-residential buildings

Installation

- Interior insulation (kit 11011381): associated with a rectangular wall penetration (female, straight), the MTR Acoustic sleeve is installed in the insulation and enables:
 - the installation of a masonry cowl on the outside, via the rectangular wall penetration,
 - the installation of a self-balanced or humidity-controlled air inlet on the inside wall using the MEA 45, MEA 85, or TM sleeve.
- Exterior insulation: the MTR Acoustic installed within the external wall insulation enables:
 - the installation of an air inlet on the inside wall using the MEA 160 or MEA 200 sleeve,
 - the installation of a rectangular masonry cowl via the rectangular wall penetration (female straight).

Main characteristics

- MTR Acoustic is a sleeve that improves the acoustic performance of air inlets,
- MTR is compatible with self-balanced, humidity-controlled or fixed air inlets indoors:
- Outdoors, the MTR sleeve is compatible with the rectangular masonry cover.

Contents of kits

- MEA sleeve length 200 mm; 1

Accessories

Désignations	References
Outdoor masonry cover	11011218
TR connection sleeve 14 to 27 cm	11011389
TR connection sleeve 19 to 32 cm	11011390
Foam panel P20	11011386
Connection sleeve MEA 45 mm	11011378
Connection sleeve MEA 85 mm	11011401
Connection sleeve MEA 160 mm	11011371
Connection sleeve MEA 200 mm	11011373
Connection sleeve TM - White	11011501
TM extension 20 to 30 mm - White	11011893

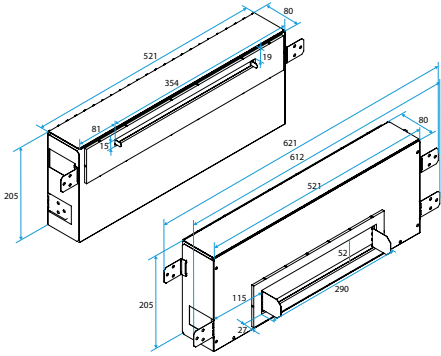
Sleeve, Sleeve

11011396

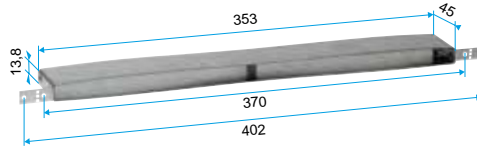
MTR Acoustic kit + MEA 200 mm

Dimensional data

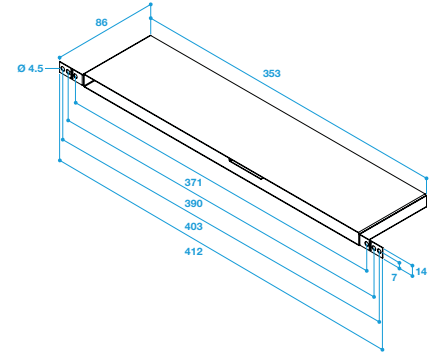
References	H (mm)	w (mm)	L (mm)
11011396	205	520	80



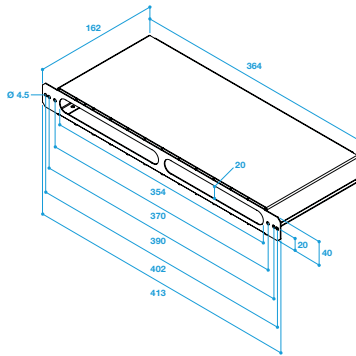
Encombrement manchon MTR acoustique



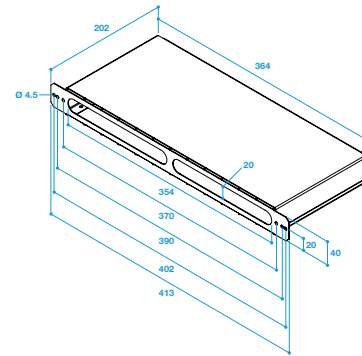
Encombrement MEA 45



Encombrement MEA 85

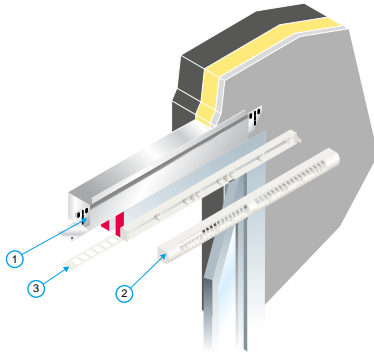


Encombrement MEA 160



Encombrement MEA 200

Installation visual 1



Mise en œuvre manchon MTR acoustique