

## Sleeve, Sleeve

11011367  
MTR Standard 9 cm

MTR is the rectangular standard wall penetration sleeve for multi-occupancy residential buildings.



Standard MTR sleeve

## PRODUCT BENEFITS

- liner aesthetic on building façade with masonry hood,
- mortar seal in simple rectangular wall penetration,
- suited to all Aldes air inlets: Self-balanced, Humidity-controlled and Fixed.

## Principles of operation

MTR is the standard wall penetration sleeve. The MTR Acoustic is made of galvanised metal sheet. It serves to install high-performance acoustic air inlets on wall penetrations. For linear aesthetics on building façades.

## Product description

The MTR standard is made of galvanised metal sheet and available in three different depths: 7, 9 or 14 cm. Associated with a rectangular wall penetration, it is used to fit a masonry type hood on the outside and a self-balanced or humidity-controlled air inlet on the inside.

## Fields of application

Multi-occupancy residential housing, New, Refurbishment, Non-residential buildings

## Installation

- When installed inside the insulation, the MTR standard sleeve serves to attach an air inlet on the inside and a rectangular masonry cover on the outside, using a rectangular penetration (straight, female),
- the sleeve is fitted with a 3 cm nose and an airtight seal on the top,
- the nose ensures the sleeve is correctly positioned in relation to the rectangular penetration (straight, female),
- the rectangular penetration serves to connect the MTR standard sleeve to the outdoor masonry cover.
- It is available in three different depths: 52, 70 or 90 mm.

## Reference arguments

- The Standard MTR is made of galvanised sheet metal and is available in three depths: 7, 9 or 14 cm.
- Using the rectangular wall penetration, it enables the installation of a masonry cover on the outside wall and a self-balanced or humidity-controlled air inlet on the inside wall.

## Main characteristics

- MTR Standard is a rectangular sleeve made of galvanised sheet,
- Lined with melamine foam for sound proofing,
- the sleeve is compatible with self-balanced, humidity-controlled, or fixed air inlets.

## Accessories

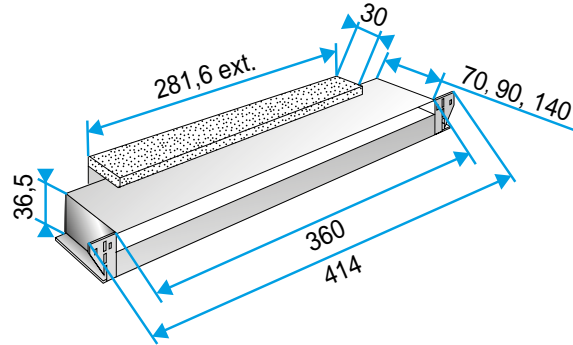
Désignations	References
Outdoor masonry cover	11011218
Connection sleeve TM - White	11011501
TM extension 20 to 30 mm - White	11011893
TR connection sleeve 14 to 27 cm	11011389
TR connection sleeve 19 to 32 cm	11011390

Sleeve, Sleeve

## 11011367 MTR Standard 9 cm

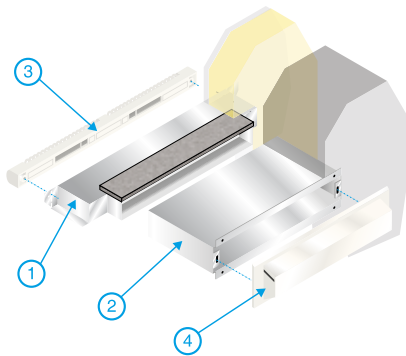
### Dimensional data

References	H (mm)	w (mm)	L (mm)
11011367	36,5	360	90



Manchon MTR standard

### Installation visual 1



Mise en œuvre manchon MTR