

11011172

Mini EA 15/22/30/45 m³/h - 37 dB - White

Mini EA is a self-balanced air inlet for installation in woodwork on an individual house or apartment.



Mini EA self-balanced air inlet: pitch 275 mm

PRODUCT BENEFITS

- soundproofing up to 37 dB
- minimum dimensions for small window leaves on existing buildings,
- airflow up to 45 m³/h,
- single product reference for 4 airflow settings,
- Hygro A compatible for NF certified versions.

Principles of operation

Mini EA is a self-balanced air inlet for installation in woodwork on an individual house or apartment.

Product description

Mini EA is a self-balanced air inlet for installation in woodwork. It ensures a constant airflow of fresh air, whatever the conditions inside the dwelling. Hygro A-compatible for NF-certified versions.

Fields of application

Multi-occupancy residential housing, Individual residential housing, Refurbishment

Installation

- the Mini EA air inlet must only be installed in the main rooms of the dwelling: bedrooms, living room, lounge, etc.
- Mini EA inlets must be installed inside dwellings, in the upper part of windows or on the roller shutter box,
- the incoming airflow must be oriented towards the ceiling,
- requires a single slot 250 x 12 mm for airflow settings 15, 22 or 30 m³/h or 265 x 17 mm for the 45 m³/h airflow.

Reference arguments

- Single slot: (250 x 12) mm for 15, 22 and 30 m³/h or (265 x 17) mm for 45 m³/h.

11011172

Mini EA 15/22/30/45 m³/h - 37 dB - White

Main characteristics

- self-balanced acoustic air inlet,
- for installation on joinery,
- exists in different colours.

Accessories

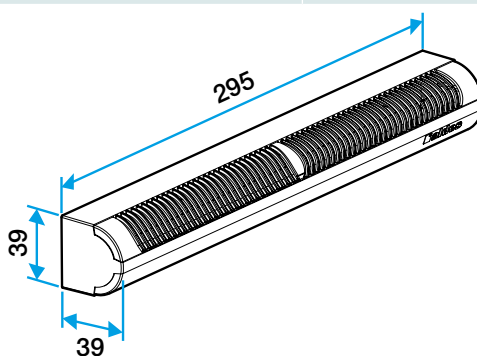
Désignations	References
Long adapter flange - White	11011413
Long adapter flange - Oak	11011414
Long adapter flange - Brown	11011415
Long adapter flange - Black	11011416
Long adapter flange - Aluminium	11011417
Long adapter flange - Light Oak	11011418
Long adapter flange - Ivory	11011419
Standard mini cover for woodwork - White	11011184
Standard mini cover for woodwork - Aluminium	11011185
Standard mini cover for woodwork - Black	11011186
Standard mini cover for woodwork - Brown	11011187
Standard mini cover for woodwork - Oak	11011188
Standard mini cover for woodwork - Light Oak	11011189
Standard mini cover for woodwork - Ivory	11011190
APP mini cover - White	11011247
APP mini cover - Aluminium	11011248
APP mini cover - Black	11011249
APP mini cover - Brown	11011250
APP mini cover - Oak	11011251
APP mini cover - Ivory	11011252
APP mini cover - Light Oak	11011255

General data

References	Colour
11011172	Lagoon blue

Dimensional data

References	H (mm)	w (mm)	L (mm)	Slot (mm)
11011172	39	39	295	(250 x 12);(265 x 17)



Entraxe : 275 mm

Airflow data

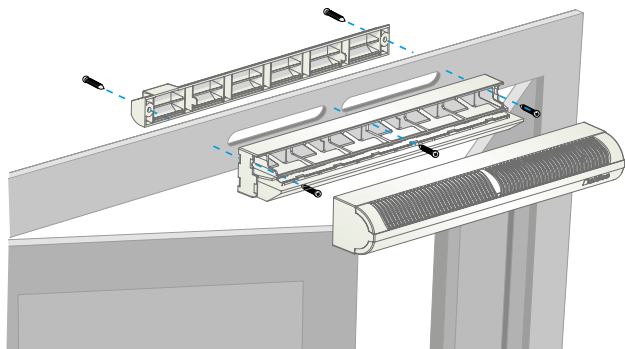
References	Airflow (m ³ /h)
11011172	15/22/30/45

11011172 Mini EA 15/22/30/45 m3/h - 37 dB - White

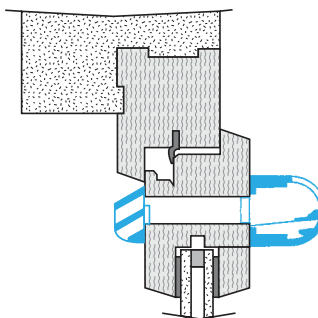
Acoustic data

References	Dnew (Ctr) with standard cover (dB)
11011172	37

Installation visual 1



Mise en œuvre entrée d'air MINI EA



Coupe mise en œuvre MINI EA

