

11011488

Mini EMMA 15/22/30 m3/h - Black

Mini EMMA is a self-balanced air inlet for installation in woodwork on an individual house or apartment.



to be created

PRODUCT BENEFITS

- minimum dimensions for small window leaves on refurbishments,
- single product reference for 3 airflow settings,

Principles of operation

Mini EMMA is a self-balanced air inlet for installation in woodwork on an individual house or apartment.

Product description

Mini EMMA is a self-balanced air inlet for installation in woodwork. It ensures a constant airflow of fresh air, whatever the conditions inside the dwelling. Available in a range of colours.

Fields of application

Multi-occupancy residential housing, Individual residential housing, Refurbishment

Installation

- the Mini EMMA air inlet must only be installed in the main rooms of the dwelling: bedrooms, living room, lounge, etc.
- Mini EMMA inlets must be installed inside dwellings, in the upper part of windows or on the roller shutter box,
- the incoming airflow must be oriented towards the ceiling,
- requires a single slot 250 x 12 mm or 250 x 15 mm.

Reference arguments

- Single slot: (250 x 15) mm or (250 x 12) mm

Main characteristics

- self-balanced air inlet,
- for installation on joinery,
- exists in different colours.

Accessories

Désignations	References
Standard mini cover for woodwork - Black	11011186
APP mini cover - Black	11011249

General data

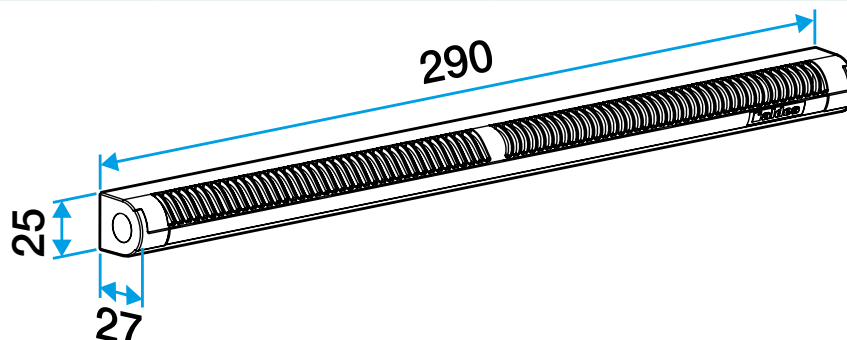
References	Colour
11011488	Wenge

11011488

Mini EMMA 15/22/30 m³/h - Black

Dimensional data

References	H (mm)	w (mm)	L (mm)	Slot (mm)
11011488	25	27	290	(250 x 15);(250 x 12)



Entraxe : 275 mm

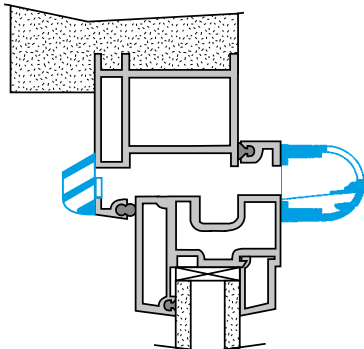
Airflow data

References	Airflow (m ³ /h)
11011488	15/22/30

Acoustic data

References	Dnew (Ctr) with standard cover (dB)
11011488	33

Installation visual 1



Mise en œuvre entrée d'air mini EMMA