

11011485

Mini EMMA 15/22/30 m3/h - Light Oak

Mini EMMA is a self-balanced air inlet for installation in woodwork on an individual house or apartment.



Mini EMMA self-balanced air inlet: pitch 275 mm

PRODUCT BENEFITS

- minimum dimensions for small window leaves on refurbishments,
- single product reference for 3 airflow settings,

Principles of operation

Mini EMMA is a self-balanced air inlet for installation in woodwork on an individual house or apartment.

Product description

Mini EMMA is a self-balanced air inlet for installation in woodwork. It ensures a constant airflow of fresh air, whatever the conditions inside the dwelling. Available in a range of colours.

Fields of application

Multi-occupancy residential housing, Individual residential housing, Refurbishment

Installation

- the Mini EMMA air inlet must only be installed in the main rooms of the dwelling: bedrooms, living room, lounge, etc.
- Mini EMMA inlets must be installed inside dwellings, in the upper part of windows or on the roller shutter box,
- the incoming airflow must be oriented towards the ceiling,
- requires a single slot 250 x 12 mm or 250 x 15 mm.

Reference arguments

- Single slot: (250 x 15) mm or (250 x 12) mm

Main characteristics

- self-balanced air inlet,
- for installation on joinery,
- exists in different colours.

Contents of kits

N/A

Accessories

| Désignations | References |
|--|------------|
| Standard mini cover for woodwork - Light Oak | 11011189 |
| APP mini cover - Light Oak | 11011255 |

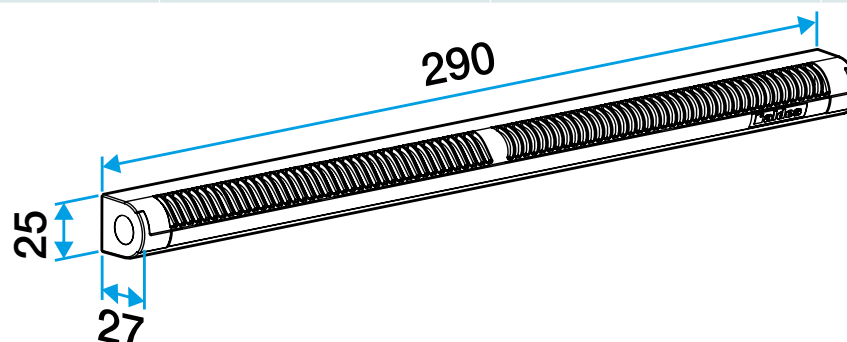
General data

| References | Colour |
|------------|-----------|
| 11011485 | Light oak |

11011485 Mini EMMA 15/22/30 m³/h - Light Oak

Dimensional data

| References | H (mm) | w (mm) | L (mm) | Slot (mm) |
|------------|--------|--------|--------|-----------------------|
| 11011485 | 25 | 27 | 290 | (250 x 15);(250 x 12) |



Entraxe : 275 mm

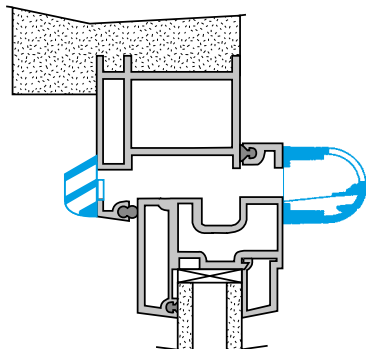
Airflow data

| References | Airflow (m ³ /h) |
|------------|-----------------------------|
| 11011485 | 15/22/30 |

Acoustic data

| References | Dnew (Ctr) with standard cover (dB) |
|------------|-------------------------------------|
| 11011485 | 33 |

Installation visual 1



Mise en œuvre entrée d'air mini EMMA