

11011574

Mini EMMA kit 15/22/30 m³/h - White

Mini EMMA is a self-balanced air inlet for installation in woodwork on an individual house or apartment.



EMMA air inlet - White

Standard mini cover for woodwork - White

PRODUCT BENEFITS

- minimum dimensions for small window leaves on refurbishments,
- single product reference for 3 airflow settings,

Principles of operation

Mini EMMA is a self-balanced air inlet for installation in woodwork on an individual house or apartment.

Product description

Mini EMMA is a self-balanced air inlet for installation in woodwork. It ensures a constant airflow of fresh air, whatever the conditions inside the dwelling. Available in a range of colours.

Fields of application

Multi-occupancy residential housing, Individual residential housing, Refurbishment

Installation

- the Mini EMMA air inlet must only be installed in the main rooms of the dwelling: bedrooms, living room, lounge, etc.
- Mini EMMA inlets must be installed inside dwellings, in the upper part of windows or on the roller shutter box,
- the incoming airflow must be oriented towards the ceiling,
- requires a single slot 250 x 12 mm or 250 x 15 mm.

Reference arguments

- Single slot: (250 x 15) mm or (250 x 12) mm

Main characteristics

- self-balanced air inlet,
- for installation on joinery,
- exists in different colours.

Contents of kits

1 hood

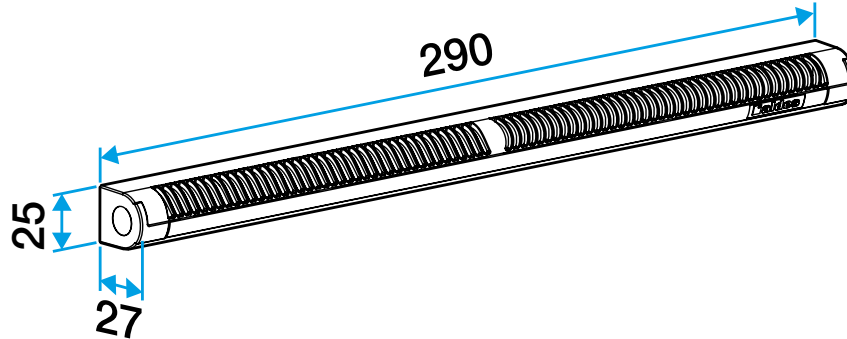
General data

References	Colour
11011574	Lagoon blue

11011574 Mini EMMA kit 15/22/30 m³/h - White

Dimensional data

References	H (mm)	w (mm)	L (mm)	Slot (mm)
11011574	25	27	290	(250 x 15);(250 x 12)



Entraxe : 275 mm

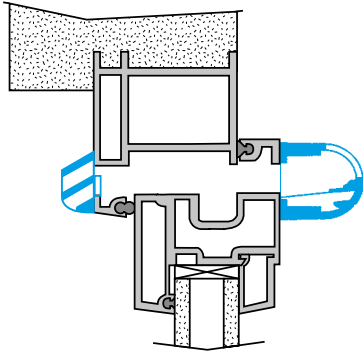
Airflow data

References	Airflow (m ³ /h)
11011574	15/22/30

Acoustic data

References	D _{new} (dB)	D _{new} (Ctr) with standard cover (dB)
11011574	33	33

Installation visual 1



Mise en œuvre entrée d'air mini EMMA