

# 11011116

## Module air inlet - Flush-mounted - White

Module is a self-balanced air inlet for installation in woodwork on an individual house or apartment.



Module air inlet - Flush-mounted - White

### PRODUCT BENEFITS

- minimum dimensions for installation in narrow window,
- flush-mounted with very slight protrusion.

### Principles of operation

Module is a self-balanced air inlet for installation in woodwork on an individual house or apartment.

### Product description

Module is a self-balanced air inlet for installation in woodwork. It ensures a constant airflow of fresh air, whatever the conditions inside the dwelling.

### Fields of application

Multi-occupancy residential housing, Individual residential housing, Refurbishment

### Installation

- Module air inlets must only be installed in the main rooms of the dwelling: bedrooms, living room, lounge, etc.
- Module inlets must be installed inside dwellings, in the upper part of windows,
- the incoming airflow must be oriented towards the ceiling,
- requires a single slot 235 x 15 mm.

### Main characteristics

- acoustic self-balanced air inlet,
- installed on single-slot mortise 235 x 15 mm.

### Accessories

Désignations	References
Flush Module bracket	11011216
Long adapter flange (550x60)	11011455
Blanking flange	11011447
Self-adhesive blanking plate	11011448
Long adapter flange	11011457
Short adapter flange	11011458

### General data

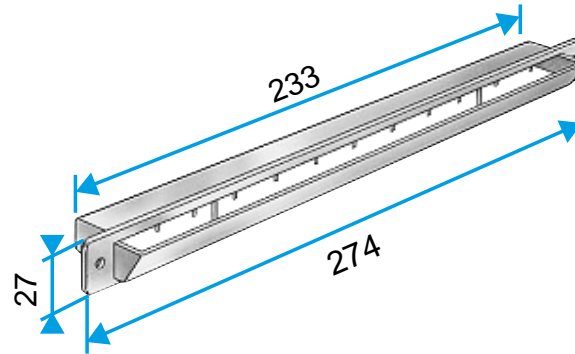
References	Colour
11011116	Lagoon blue

# 11011116

Module air inlet - Flush-mounted - White

### Dimensional data

References	H (mm)	L (mm)	Slot (mm)
11011116	27	274	(235 x 15)



### Airflow data

References	Airflow (m³/h)
11011116	30