

## Fresh air intake

# 11044350

## OXYTONE LAMES 2013 2 MOTORS POWER SUPPLY BOX

The OXYTONE Lames 2013 air inlet provides fresh air in case of fire. Its motorised reset makes maintenance easier.



OXYTONE LAMES 2013 closed in standby position

### PRODUCT BENEFITS

- version with remote reset possible,
- opens outwards,
- inside, GFAP 007 grille with removable core.

### Principles of operation

OXYTONE Lames 2013 is a remote-controlled bladed vent for air inlet applications. It opens when instructed by the FACP. The start / end limit position switches detect the position of the vent and its correct operation.

### Product description

OXYTONE Lames 2013 is a remote-controlled bladed vent for air inlet in smoke and heat exhaust applications. It is available as standard in dimensions from 330 x 600 / 475 x 350 to 1350 x 1100 / 1225 x 1350 in increments of 125 mm. It exists in an insulated version with/without motorised reset.

### Fields of application

New, Refurbishment, Non-residential buildings

### Installation

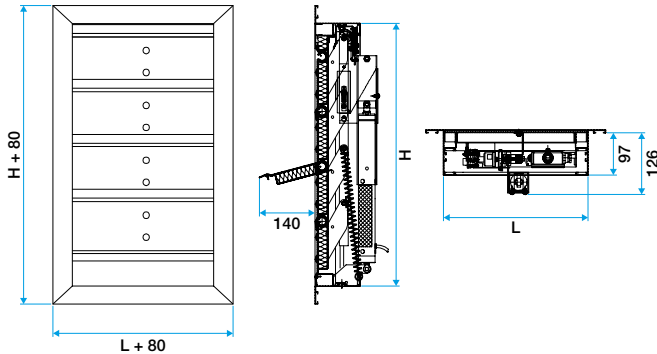
- always keep blades in horizontal position,
- intended for installation on exterior façade:
  - on metal partition,
  - on concrete wall (mounting frame recommended).
- OXYTONE Lames 2013 can be installed on a wooden wall using an adapter kit.

## Fresh air intake

# 11044350 OXYTONE LAMES 2013 2 MOTORS POWER SUPPLY BOX

### Main characteristics

- mechanical damper comprising an aluminium frame (natural anodised finish), in which horizontal blades pivot (same finish as frame),
- INSULATED version with blades lined with 23 mm of M1 expanded polystyrene ( $K=1,55 \text{ W/m}^2\text{C}$ ), enclosed in a PVC box,
- actuating mechanism:
  - link chain driven by spring located behind blades,
  - electrical connection via terminal box.
- fitted with 3.5 W current-make or 1.6 W current-break remote trip device, 24V or 48V,
- manual reset (standard) or 24V electric (factory-fitted or site-fitted option),
- start and end limit position signal contacts available as optional extras. Can be doubled.



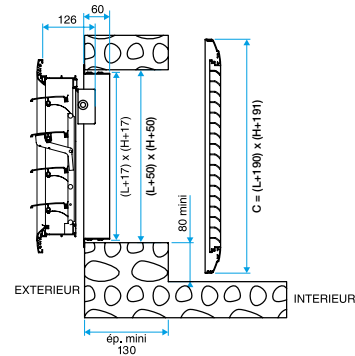
Dimensions (mm)

- OXYTONE LAMES 2013 dimensions:

- nominal dimensions:  $L \times H$ ,
- dimensions of opening with sealed mounting frame:  $(L+50) \times (H+50)$ ,
- dimensions of opening without mounting frame:  $(L+5) \times (H+5)$ .

- Dimensions with GFAP:

- nominal dimensions: GFAP 007:  $X \times Y$ ,
- selection with mounting frame:  $X = L$   
 $Y = H$ ,
- selection without mounting frame:  $X = L - 45\text{mm}$   $Y = H - 45\text{mm}$ ,
- check that X and Y are multiple of 25 mm.



Dimensions with GFAP 007 (mm)