

Fresh air intake

11044342

OXYTONE Lames 2013 with choice of options

The OXYTONE Lames 2013 air inlet provides fresh air in case of fire. Its motorised reset makes maintenance easier.



OXYTONE LAMES 2013 closed in standby position



OXYTONE LAMES 2013 open in safety position

PRODUCT BENEFITS

- version with remote reset possible,
- opens outwards,
- inside, GFAP 007 grille with removable core.

Principles of operation

OXYTONE Lames 2013 is a remote-controlled bladed vent for air inlet applications. It opens when instructed by the FACP. The start / end limit position switches detect the position of the vent and its correct operation.

Product description

OXYTONE Lames 2013 is a remote-controlled bladed vent for air inlet in smoke and heat exhaust applications. It is available as standard in dimensions from 330 x 600 / 475 x 350 to 1350 x 1100 / 1225 x 1350 in increments of 125 mm. It exists in an insulated version with/without motorised reset.

Fields of application

New, Refurbishment, Non-residential buildings

Installation

- always keep blades in horizontal position,
- intended for installation on exterior façade:
 - on metal partition,
 - on concrete wall (mounting frame recommended).
- OXYTONE Lames 2013 can be installed on a wooden wall using an adapter kit.

Main characteristics

- mechanical damper comprising an aluminium frame (natural anodised finish), in which horizontal blades pivot (same finish as frame),
- INSULATED version with blades lined with 23 mm of M1 expanded polystyrene ($K=1,55 \text{ W/m}^2\text{C}$), enclosed in a PVC box,
- actuating mechanism:
 - link chain driven by spring located behind blades,
 - electrical connection via terminal box.
- fitted with 3.5 W current-make or 1.6 W current-break remote trip device, 24V or 48V,
- manual reset (standard) or 24V electric (factory-fitted or site-fitted option),
- start and end limit position signal contacts available as optional extras. Can be doubled.

Accessories

Désignations	References
Adapter OXYTONE Lames 2013	11044345

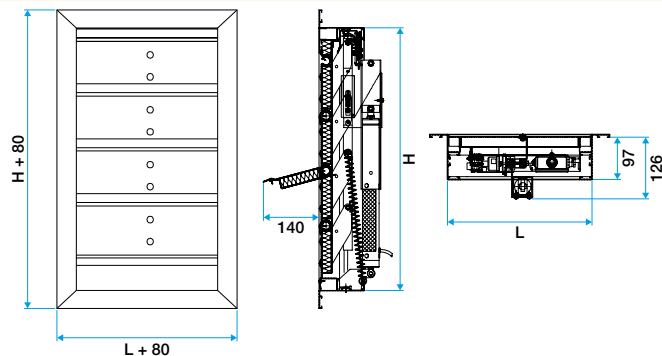
Fresh air intake

11044342

OXYTONE Lames 2013 with choice of options

Dimensional data

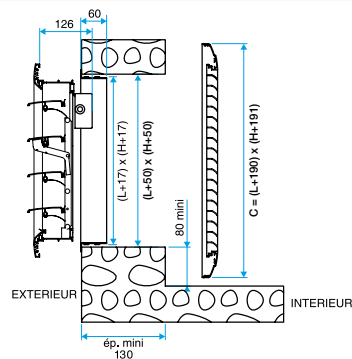
References	Lmin x Hmin (mm)	Lmax x Hmax (mm)
11044342	330 x 475 ou 475 x 350	1100 x 1350



Dimensions (mm)

- OXYTONE LAMES 2013 dimensions:
 - nominal dimensions: L x H,
 - dimensions of opening with sealed mounting frame: (L+50) x (H+50),
 - dimensions of opening without mounting frame: (L+5) x (H+5).

- Dimensions with GFAP:
 - nominal dimensions: GFAP 007: X x Y,
 - selection with mounting frame: X = L
Y = H,
 - selection without mounting frame: X = L - 45mm Y = H - 45mm,
 - check that X and Y are multiple of 25 mm.



Dimensions with GFAP 007 (mm)