

11041111

PLAFONE tunnel damper with choice of options

PLAFONE is a fire and smoke control tunnel damper for public access buildings, high-rises or category 3 and 4 residential buildings.



PLAFONE open in safety position

PRODUCT BENEFITS

- minimal leak rate,
- certified for remote installation and horizontal installation,
- ISONE scalable mechanism.

REGLEMENTATIONS AND COMPLIANCES

PV CE number : 1812-CPR-1054

Principles of operation

In standby position, the damper is closed. It opens when instructed by the FACP and moves into failsafe position.

Product description

PLAFONE is a fire and smoke control tunnel damper for public access buildings, high-rises or category 3 and 4 residential buildings. It can be installed in a suspended ceiling. It features the ISONE upgradable mechanism.

Fields of application

Multi-occupancy residential housing, New, Refurbishment, Non-residential buildings

Installation

- “multi-compartment” smoke control damper are suited to “mono-compartment” applications,
- maximum negative pressure: - 1500 Pa,
- fire direction: inside the smoke exhaust duct (when the damper is closed),
- use of the CONCEPTOR DESENFUMAGE design software recommended to define the opening dimensions in the suspended ceiling,
- nominal X and Y dimensions of damper = interior dimensions of duct,
- insert the short 60 mm sleeve of the damper in the duct air stream,
- attachment to the duct using screws and adhesive,
- installation in the supporting duct must comply with CE certification, classification report available on www.aldes.fr.

Main characteristics

- CE marking compliant as per EN 12101-8: 1812 - CPD -1054,
- fire resistance classification as per EN 1366-10 test:
 - EI 120 (ved-ho-io) S -1500 Pa - AA multi, in accordance with § 7.2.4 of EN13501-4.
- certified up to EI 120 S on the following smoke and heat exhaust ducts (and products compliant with EN 1366-9 of the same material and same density):
 - PROMATECT L500,
 - TECNIVER L,
 - GEOFLAM / GEOFLAM Light,
 - EXTHAMAT P,
 - GLASROC F V500,
 - Desenfire,
 - STAFF PUR.
- compliant with French standard NF-S-61937-10,
- very low leak rate, < 200 m³/h per m² of blade at 1,500 Pa,
- most demanding fire resistance classification: EI 120 S -1500 Pa.

11041111

PLAFONE tunnel damper with choice of options

Supplementary characteristics

- 2 metallic sleeves,
- drilled refractory complex for attachment in smoke exhaust duct EN 1366-8 or -9,
- ISONE type electrical control mechanism, can accept an electromagnetic trip device, up to 4 signal contacts and an EHOP reset motor,
- nominal X - Y dimensions of damper: dimensions of installation hole in duct,
- more information on ISONE type mechanism in fire damper pages.

Accessories

Désignations	References
PLAFONE ring D160	11041050
PLAFONE ring D200	11041051
PLAFONE ring D250	11041052
PLAFONE ring D315	11041053
PLAFONE ring D355	11041054
PLAFONE ring D400	11041055
PLAFONE ring D450	11041056
PLAFONE ring D500	11041057
PLAFONE ring D560	11041058
PLAFONE ring D630	11041059
PLAFONE ring D710	11041060
PLAFONE ring D800	11041061
GFE 007 grille Edged	11045337

Options

43304
43305
43306
43307
43308
43309
43310
43311
43312
43313
43314
43315
43316
43317
43318
43319
43320

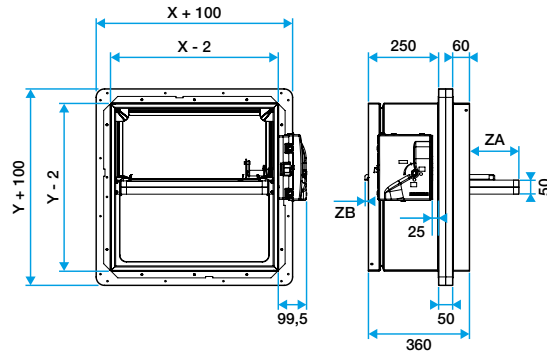
General data

References	Free air passage section (dm ²)
11041111	1,5 (Min) - 81,8 (Max)

11041111 PLAFONE tunnel damper with choice of options

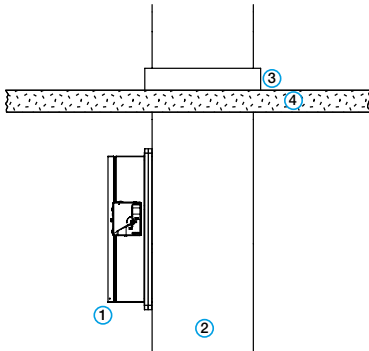
Dimensional data

References	Lmin x Hmin (mm)	Lmax x Hmax (mm)
11041111	200 x 200	1000 x 1000 / 1500 x 500

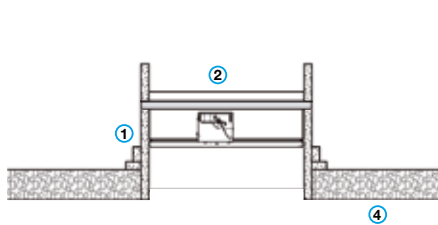


Encombrement (mm)

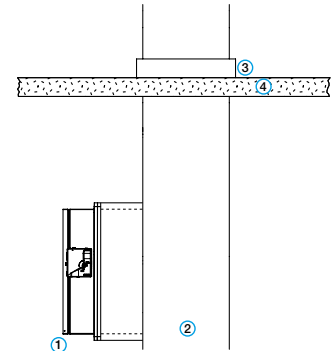
Installation visual 1



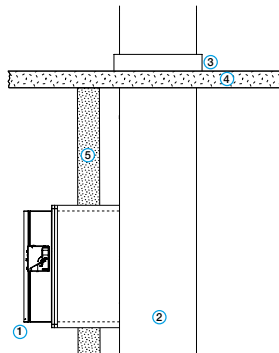
Fixation sur la face verticale du conduit



Mise en oeuvre horizontale



Fixation sur une trainasse horizontale du conduit de désenfumage



Fixation sur une trainasse horizontale du conduit de désenfumage