

**Connector**

## 11097327 POC ANGLE GALVA - D630/630

The PEC circular branch connector makes a 45° angle branch on a galvanised circular duct.



Piquage Oblique Circulaire 45°

**Product description**

The PEC circular branch connector makes a 45° angle branch on a galvanised circular duct.

**Fields of application**

Multi-occupancy residential housing, New, Refurbishment, Non-residential buildings

**Installation**

- when installing, pay special attention to pressures losses, noise and leaks that may be generated,
- easy assembly of interlocking accessories: ducts are female, accessories are male,
- final seal requires sealant and/or perforated strip,
- attached to duct using self-tapping screws (4 to 6 depending on diameter).

**Reference arguments**

Application:

- Serves to add a 45° bend diameter 630 mm to circular ducting diameter 630 mm.

Description:

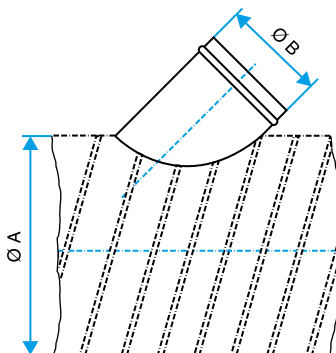
- Angled connector galvanised steel diameter 630/630 mm

**Main characteristics**

- available in diameters from 80 to 900,
- galvanised steel as per EN 10346 ensuring uniformity of coating,
- M0 fire certification.

**Dimensional data**

References	Ø A (mm)	Ø B (mm)
11097327	630	630



Dimensional drawing Circular 45° angled branch connector

Connector

# 11097327

## POC ANGLE GALVA - D630/630

Regulatory data

References	Fire protection rating
11097327	M0