

# 11039287

## ProtectONE® R 12.0 2SP

ProtectONE® R F400-120 2-speed is a smoke and heat exhaust box fan for commercial and industrial premises.



ProtectONE R 2SP with 90 discharge

### PRODUCT BENEFITS

- easily adjusted airflow with the exclusive ProtectONE® Adapt system,
- can be fully dismantled as standard (except for insulated model),
- modular connection to discharge: left, right, vertical (except insulated model),
- backward curve impeller: smaller variation in airflow even if pressure losses vary.

### REGLEMENTATIONS AND COMPLIANCES

PV CE number : 1812-CPR-1181

### Principles of operation

When commanded by the FACP, the safety box will activate ProtectONE® R in smoke exhaust mode to extract smoke. The box will then switch to “default” mode, then “standby”.

### Product description

ProtectONE® R 2SP is an F400-120 2-speed smoke and heat exhaust box fan for commercial and industrial premises. It features a direct-drive backward curve impeller. The exclusive ProtectONE® Adapt adjustment device can adjust the exhaust airflow easily at any time.

### Fields of application

New, Refurbishment, Non-residential buildings

### Installation

- indoors or outdoors,
- indoor installation: use thermal-acoustic insulation option (EN 12101-3),
- outdoor installation: use rain hood + bird screen,
- proximity switch supplied fitted and wired, with position contacts.

### Main characteristics

- complies with CE marking 1812-CPR-1181,
- certified EFECTIS F400-120 as per EN12101-3,
- Free-wheel fan compliant with ErP 2018,
- airflow from 1000 to 21,000 m<sup>3</sup>/h,
- class F electric motor IP55,
- 3-phase 2-speed motor,
- built-in airflow adjustment device: ProtectONE® Adapt (patented), exclusive to ALDES (patented),
- centrifugal backward curve impeller coupled directly to motor,
- thermal insulation for installation in equipment room,
- 2 models: in-line output and 90° output.
- Scope:
  - removes smoke and hot gases in case of fire from any commercial building,
  - removes contaminated air in commercial and industrial premises,
  - removes pollutants in professional kitchens.

# 11039287

## ProtectONE® R 12.0 2SP

### Supplementary characteristics

- 10 unit sizes for airflow from 1000 to 21,000 m<sup>3</sup>/h:
  - ProtectONE® R2.0 to ProtectONE® R5.0: Size 1,
  - ProtectONE® R6.5 to ProtectONE® R9.0: Size 2,
  - ProtectONE® R10.0 to ProtectONE® R21.0: Size 3,
  - ProtectONE® R2.0 to ProtectONE® R5.0: Size 1 EL,
  - ProtectONE® R6.5 to ProtectONE® R9.0: Size 2 EL,
  - ProtectONE® R10.0 to ProtectONE® R21.0: Size 3 EL.
- available options:
  - "All-in-One" solution: includes safety box, switch and pressure switch,
  - variable pressure switch 100 - 1000 Pa (1 pressure switch for each smoke and heat exhaust speed),
  - choice of outlet position: LH/RH access on EL model,
  - thermal insulation approved for installation in equipment rooms,
- accessories:
  - square/circular adjustment plate for intake,
  - rain hood anti-bird visor on outlet,
  - rectangular and circular flexible sleeve,
  - anti-vibration mountings,
  - backdraft damper.

### Accessories

Désignations	References
Rectangular flexible sleeve for air inlet T3 ProtectONE R 90°	11039177
Rectangular flexible sleeve for air outlet T3 ProtectONE® R	11039183
ProtectONE R backdraft damper T3	11039186
Outlet flange T3 ProtectONE® R	11039165
Rectangular/circular adapter Ø 710 for air intake T3 ProtectONE® R 90°	11039168
Rectangular/circular adapter Ø 710 for air outlet T3 ProtectONE® R	11039174
Pressure switch kit 20-300 Pa ProtectONE® R	11091097
Pack of 6 anti-vibration mountings	11039348

### Options

base
90677
90709
BRIDE
ISOLA
ISOL_P_H
ISOL_P_V
MANCH
PRESSB
PRESSC

### General data

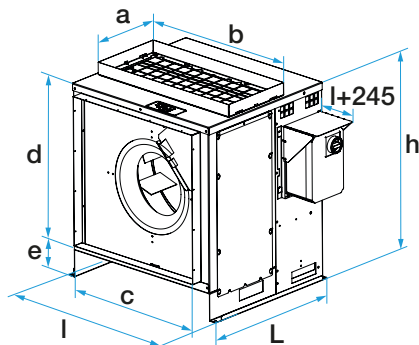
References	Type of motor	Type of impeller
11039287	AC	Backward curve

# 11039287

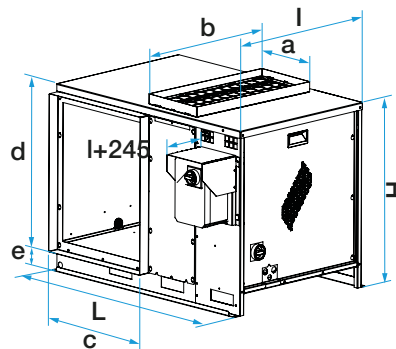
## ProtectONE® R 12.0 2SP

### Dimensional data

References	A (mm)	B (mm)	C (mm)	D (mm)	H (mm)	I (mm)	L (mm)	Flange (mm)	Insulation (mm)	Weight (kg)
11039287	510	905	795	795	1020	965	910	I+20	L+50 H+25	176



Encombrement ProtectONE® R 2V (mm)



Encombrement ProtectONE® R EL 2V (mm)

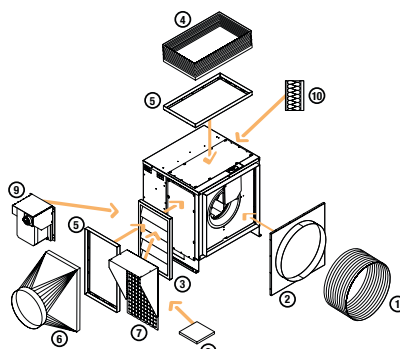
### Electrical datas

References	Id/In	Rated current (A)	Voltage (V)	Number of poles	Power (kW)
11039287	7.6/6.2	6,85/3,86	400	4/6	3/1

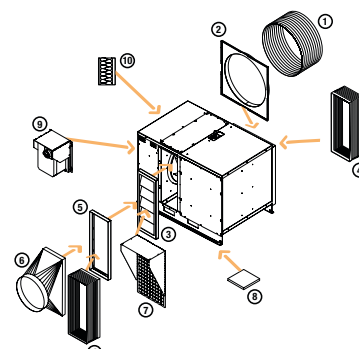
### Installation visual 1



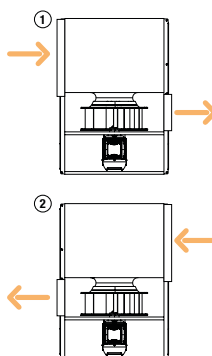
Choix de raccordement au refoulement ProtectONE R (modèle 90°)



Options et accessoires ProtectONE® R (Modèle 90°)



Options et accessoires ProtectONE® R EL

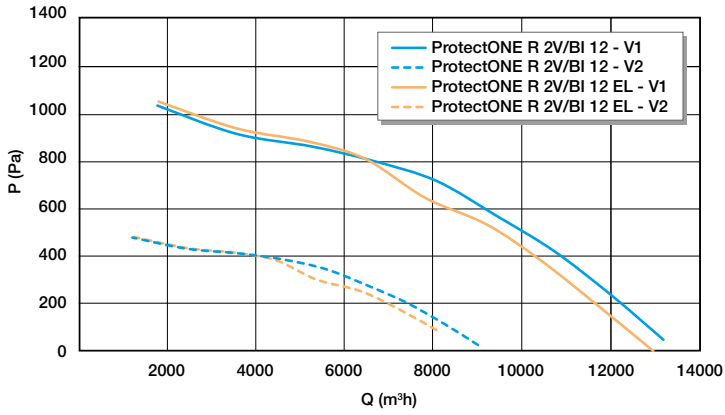


Choix de raccordement gauche/droite ou droite/gauche sur ProtectONE R EL

# 11039287

## ProtectONE® R 12.0 2SP

### Curve



Aeraulic properties ProtectONE® R 12.0 - 2SP - BI