

# 11039272

## ProtectONE® R 5.0 2P EL 1SP

ProtectONE® R F400-120 1-speed is a smoke and heat exhaust fan unit for non-residential and industrial buildings.



ProtectONE R 1SP with intake and outlet in line (EL)

### PRODUCT BENEFITS

- easily adjusted airflow with the exclusive ProtectONE® Adapt system,
- can be fully dismantled as standard (except for insulated model),
- modular connection to discharge: left, right, vertical (except insulated model),
- backward curve impeller: smaller variation in airflow even if pressure losses vary.

### REGLEMENTATIONS AND COMPLIANCES

PV CE number : 1812-CPR-1181

### Principles of operation

When commanded by the FACP, the safety box will activate ProtectONE® R in smoke exhaust mode to extract smoke. The box will then switch to “default” mode, then “standby”.

### Product description

ProtectONE® R 1SP is an F400-120 single-speed smoke and heat exhaust box fan for commercial and industrial premises. It features a direct-drive backward curve impeller. The exclusive ProtectONE® Adapt adjustment device can adjust the exhaust airflow easily at any time.

### Fields of application

New, Refurbishment, Non-residential buildings

### Installation

- indoors or outdoors,
- indoor installation: use thermal-acoustic insulation option (EN 12101-3),
- outdoor installation: use rain hood + bird screen,
- proximity switch supplied fitted and wired, with position contacts.

### Main characteristics

- complies with CE marking 1812-CPR-1181,
- certified EFECTIS F400-120 as per EN12101-3,
- free-wheel fan compliant with ErP 2018,
- airflow from 500 to 21,000 m<sup>3</sup>/h,
- class F electric motor IP55,
- 3-phase single-speed motor,
- built-in airflow adjustment device: ProtectONE® Adapt (patented), exclusive to ALDES (patented),
- centrifugal backward curve impeller coupled directly to motor,
- thermal insulation for installation in equipment room,
- 2 models: in-line output and 90° output.

# 11039272

## ProtectONE® R 5.0 2P EL 1SP

### Supplementary characteristics

- 10 unit sizes offering airflow rates from 500 to 21,000 m<sup>3</sup>/h:
  - ProtectONE® R2.0 to ProtectONE® R5.0: Size 1,
  - ProtectONE® R6.5 to ProtectONE® R9.0: Size 2,
  - ProtectONE® R10.0 to ProtectONE® R21.0: Size 3,
  - ProtectONE® R2.0 to ProtectONE® R5.0: Size 1 EL,
  - ProtectONE® R6.5 to ProtectONE® R9.0: Size 2 EL,
  - ProtectONE® R10.0 to ProtectONE® R21.0: Size 3 EL.
- available options:
  - “All-in-One” solution: includes safety box, switch and pressure switch,
  - variable pressure switch 100 - 1000 Pa (1 pressure switch for each smoke and heat exhaust speed),
  - choice of outlet position: LH/RH access on EL model,
  - thermal insulation for installation in equipment room.
- accessories:
  - square/circular adjustment plate for intake,
  - rain hood with anti-bird screen on outlet,
  - rectangular and circular flexible sleeve,
  - anti-vibration mountings,
  - non-return damper

### Accessories

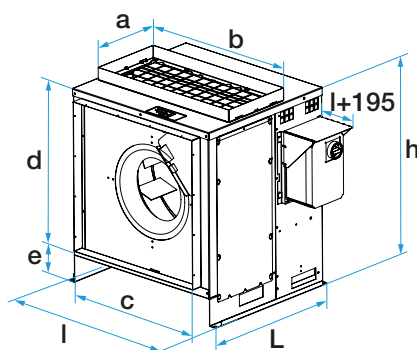
Désignations	References
Flexible connector - Ø 500	11096940
Rectangular flexible sleeve for air inlet T1 ProtectONE® R EL	11039178
Rectangular flexible sleeve for air outlet T1 ProtectONE® R	11039181
ProtectONE R backdraft damper T1	11039184
Outlet flange T1 ProtectONE® R	11039163
Rectangular/circular adapter Ø 500 for air intake T1 ProtectONE® R EL	11039169
Rectangular/circular adapter Ø 500 for air outlet T1 ProtectONE® R	11039172
Pressure switch kit 20-300 Pa ProtectONE® R	11091097
Pack of 6 anti-vibration mountings	11039348

### General data

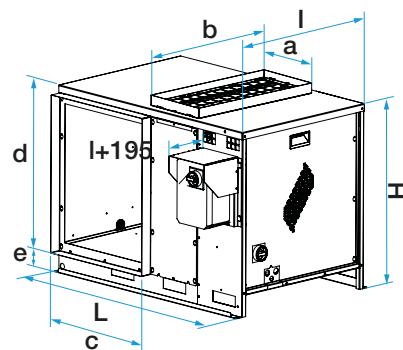
References	Type of motor	Type of impeller
11039272	AC	Backward curve

### Dimensional data

References	A (mm)	B (mm)	C (mm)	D (mm)	H (mm)	I (mm)	L (mm)	Flange (mm)	Insulation (mm)	Weight (kg)
11039272	300	595	595	595	775	745	1070	I+20	L+50 H+25	80



Encombrement ProtectONE® R 1V (mm)



Encombrement ProtectONE® R EL 1V (mm)

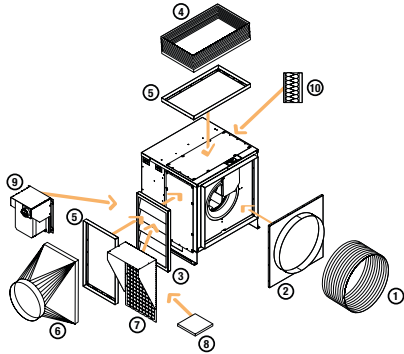
# 11039272

## ProtectONE® R 5.0 2P EL 1SP

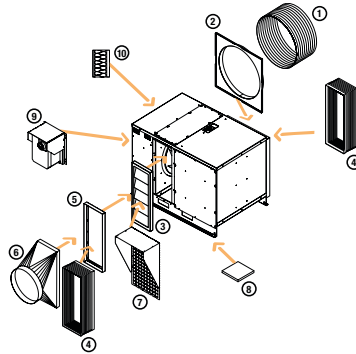
### Electrical datas

References	Id/In	Rated current at 230 V (A)	Rated current at 400 V (A)	Voltage (V)	Number of poles	Power (kW)
11039272	7	5,44	3,14	230/400	2	1,5

### Installation visual 1



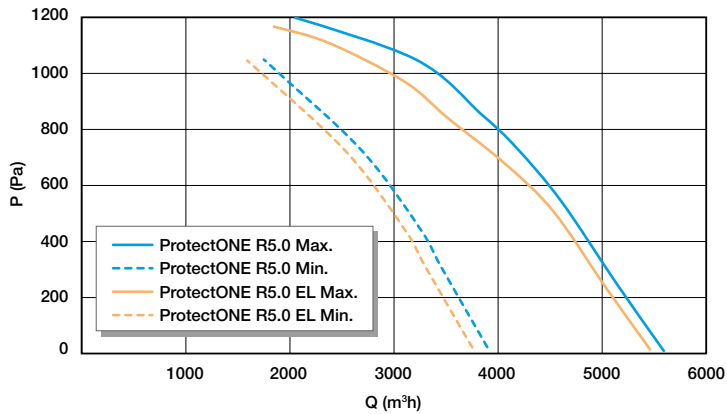
Options et accessoires ProtectONE® R (Modèle 90°)



Options et accessoires ProtectONE® R EL (Modèle piquages en ligne)

Options et accessoires ProtectONE® R EL

### Curve



Aeraulic properties ProtectONE® R 5.0 - 1SP