

11039526

ProtectONE® TA 400 2SP BI

ProtectONE® TA 2SP Independent windings is an F400-120 smoke and heat exhaust box fan for commercial and industrial premises.



Smoke exhaust unit ProtectONE T

PRODUCT BENEFITS

- easy airflow adjustment with the exclusive ProtectONE® Adapt device,
- can be fully dismantled as standard,
- thermal insulation for installation in equipment rooms.

REGLEMENTATIONS AND COMPLIANCES

PV CE number : 1812-CPR-1548

Principles of operation

When commanded by the FACP, the safety box will activate ProtectONE® T in smoke exhaust mode to extract smoke. The box will then switch to “default” mode, then “standby”.

Product description

ProtectONE® TA 2SP - Independent windings is an F400-120 smoke and heat exhaust box fan for commercial and industrial premises. It features a belt-driven forward curve impeller. The ProtectONE® Adapt adjustment device can adjust the exhaust airflow easily at any time.

Fields of application

New, Refurbishment, Non-residential buildings

Installation

- indoors or outdoors,
- indoor installation: use thermal-acoustic insulation option (EN 12101-3),
- outdoor installation: use rain hood + bird screen,
- proximity switch supplied fitted and wired, with position contacts.

Main characteristics

- complies with CE marking 1812-CPR-1548,
- certified EFACTIS F400-120 as per EN12101-3,
- Safety box compliant with NF standards (NF S61-937-1, NFS61937-9, NF 537),
- belt-driven exhaust box fan,
- 9 models for airflow from 1,000 to 40,000 m³/h,
- 2-speed motor with independent windings generating 1.1 kW to 20 kW,
- balanced forward curve impeller,
- adjustable pulley,
- class F electric motor, IP55,
- galvanised steel casing, can be dismantled as standard,
- motor access panel adjustable on site,
- proximity switch fitted in factory,
- built-in airflow adjustment device: ProtectONE® Adapt (patented system) exclusive to Aldes (optional),

11039526 ProtectONE® TA 400 2SP BI

Supplementary characteristics

- accessories:
 - square/circular adjustment plate for intake,
 - rain hood anti-bird visor on outlet,
 - rectangular and circular flexible sleeve,
 - rectangular/circular flexible adapter part on outlet,
 - anti-vibration mountings,
 - backdraft damper,
 - rain hood + grille,
 - outlet flange,
 - AXONE 1SP safety box, 1-speed progressive start,
 - AXONE 2SP safety box, 2-speed smoke exhaust and comfort + smoke exhaust.
- available options:
 - "All-in-One" solution: safety box + switch + pressure switch installed and wired in factory,
 - choice of motor access panel,
 - horizontal or vertical outlet,
 - thermal + acoustic insulation certified 12101-3 for installation in equipment rooms,
 - variable pulley,
 - ProtectONE® Adapt (patented): rapid airflow adjustment.

Accessories

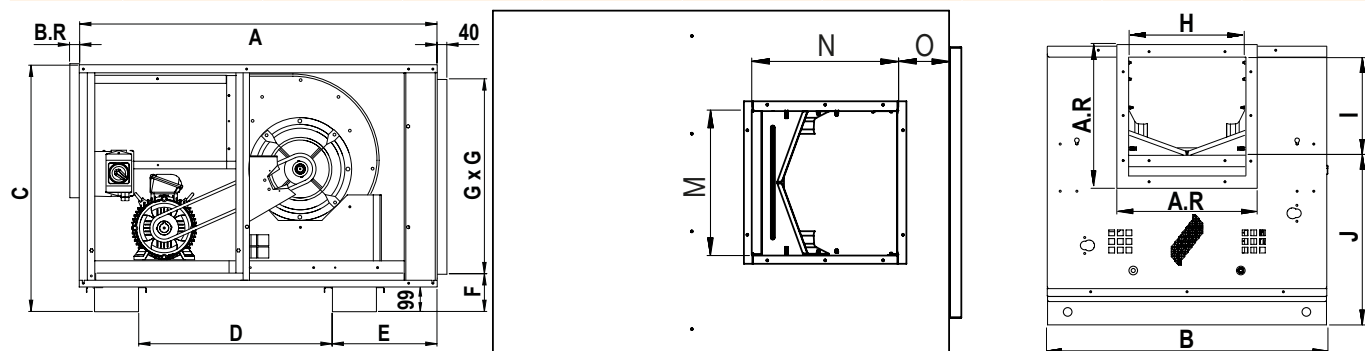
Désignations	References
ProtectONE® T vertical outlet grille 400	11039626
Pack of 6 anti-vibration mountings	11039348
RECT SLEEV INTAKE 400 PROTECTONE T	11039496
REC SLV INT250 400 PROTECTONE T	11039567
REC.CIR ADA INT D710 400 PROTE	11039576
RAIN HOOD GRILLE 400 PROTECTONE T	11039586
DISCHARGE FLANGE 400 PROTECT T	11039596
FLEXIBLE ADAPTER DISCHARGE 400 PROTECTONE T	11039606
NON-RETURN 400 PROTECTONE T	11039616

General data

References	Type of motor	Type of impeller
11039526	AC	Forward curve

Dimensional data

References	A (mm)	A.R (mm)	B (mm)	B.R (mm)	C (mm)	D (mm)	E (mm)	F (mm)	G (mm)	H (mm)
11039526	1608	600	1213	43	1141	954	411	145	950	509



Encombrement (mm) - vue de profil

Encombrement (mm) - vue de dessus

Dimensions (mm) - front view

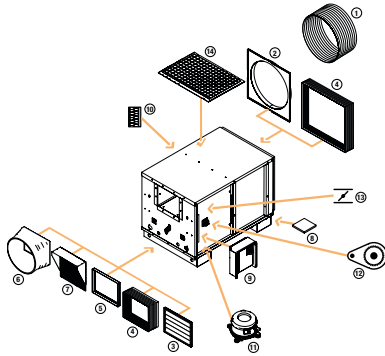
11039526

ProtectONE® TA 400 2SP BI

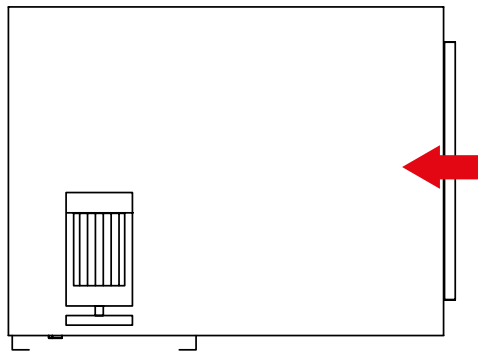
Electrical datas

References	Id/In	Max. current (A)	Rated current (A)	Voltage (V)	Number of poles	Power (kW)
11039526	7.6/6.2-7.1/5.9-7.8/7.4-7/4	5,53/3,78-10,01/5,02-14,85/7,65-24,2/9,61	6,85/3,44-9,1/4,57-13,5/6,96-22/8,74	400	04-june	3/1 - 4/1,5 - 6/2,2 - 10/3,3

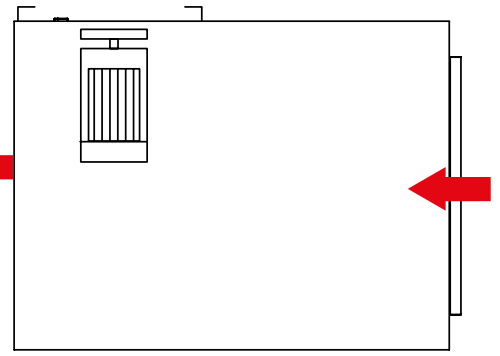
Installation visual 1



Accessories ProtectONE T

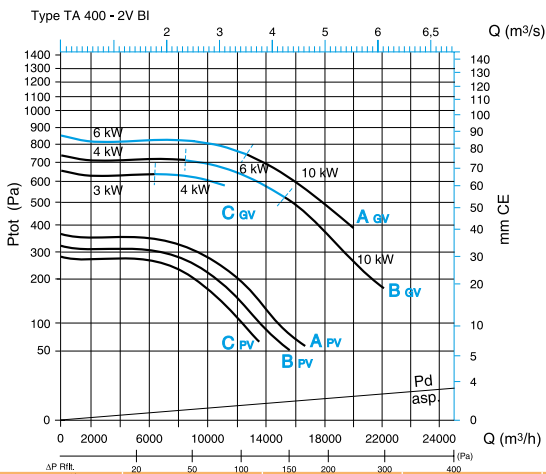


Drawing of top view with left side access



Drawing of top view with right side access

Curve



> curves as per NF EN ISO 5801:

- ducted intake, open outlet,
 - Ptot: Total pressure,
 - Pd intake : dynamic pressure in duct on intake,
 - ΔP ducted outlet: higher pressure with ducted outlet rather than open outlet.
- > see ProtectONE TA 225 for explanations of curves.

I (mm)	Aeratic properties	M (mm)	N (mm)	O (mm)	Weight (kg)	
431	ProtectONE® TA 400 - 2SP BI	669	507	507	180	337