

# 11039507

## ProtectONE® TA 450 1SP

ProtectONE® TA 1SP is an F400-120 1-speed smoke and heat exhaust box fan for commercial and industrial premises.



### PRODUCT BENEFITS

- easy airflow adjustment with the exclusive ProtectONE® Adapt device,
- can be fully dismantled as standard,
- thermal insulation for installation in equipment rooms.

### REGLEMENTATIONS AND COMPLIANCES

PV CE number : 1812-CPR-1548

### Principles of operation

When commanded by the FACP, the safety box will activate ProtectONE® T in smoke exhaust mode to extract smoke. The box will then switch to “default” mode, then “standby”.

### Product description

ProtectONE® TA 1SP is an F400-120 1-speed smoke and heat exhaust box fan for commercial and industrial premises. It features a belt-driven forward curve impeller. The ProtectONE® Adapt adjustment device can adjust the exhaust airflow easily at any time.

### Fields of application

New, Refurbishment, Non-residential buildings

### Installation

- indoors or outdoors,
- indoor installation: use thermal-acoustic insulation option (EN 12101-3),
- outdoor installation: use rain hood + bird screen,
- proximity switch supplied fitted and wired, with position contacts.

### Main characteristics

- complies with CE marking 1812-CPR-1548,
- certified EFECTIS F400-120 as per EN12101-3,
- safety box compliant with NF standards (NF S61-937-1, NFS61937-9, NF 537),
- belt-driven exhaust box fan,
- 9 models for airflow from 1,000 to 40,000 m<sup>3</sup>/h,
- single-speed motor generating 1.1 kW to 22 kW,
- balanced forward curve impeller,
- adjustable pulley,
- class F electric motor, IP55,
- galvanised steel casing, can be dismantled as standard,
- motor access panel adjustable on site,
- proximity switch fitted in factory,
- built-in airflow adjustment device: ProtectONE® Adapt (patented system) optional,

## 11039507 ProtectONE® TA 450 1SP

### Supplementary characteristics

- accessories:
  - square/circular adjustment plate for intake,
  - rain hood anti-bird visor on outlet,
  - rectangular and circular flexible sleeve,
  - rectangular/circular flexible adapter part on outlet,
  - anti-vibration mountings,
  - backdraft damper,
  - rain hood + grille,
  - outlet flange,
  - AXONE 1SP safety box, 1-speed progressive start,
  - AXONE 2SP safety box, 2-speed smoke exhaust and comfort + smoke exhaust.
- available options:
  - "All-in-One" solution: safety box + switch + pressure switch installed and wired in factory,
  - choice of motor access panel,
  - horizontal or vertical outlet,
  - thermal + acoustic insulation certified 12101-3 for installation in equipment rooms,
  - variable pulley,
  - ProtectONE® Adapt (patented): rapid airflow adjustment.

### Accessories

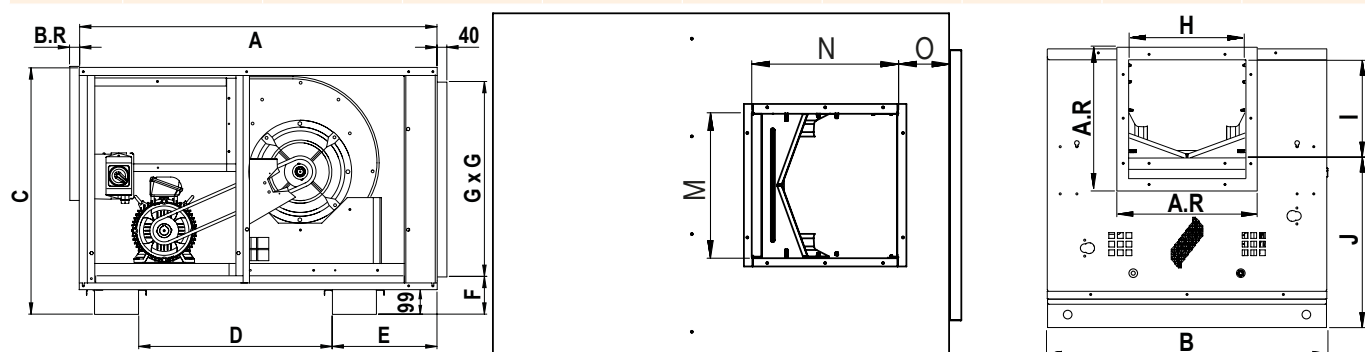
Désignations	Variants
ProtectONE® T vertical outlet grille 450	11039627
Flexible connector - Ø 800	11096931
Pack of 6 anti-vibration mountings	11039348
RECT SLEEV INTAKE 450 PROTECTONE T	11039497
RECT DIS SLV 450 PROTECTONE T	11039565
REC.CIR ADA INT D800 450 PROTE	11039577
RAIN HOOD GRILLE 450 PROTECTONE T	11039587
DISCHARGE FLANGE 450 PROTECT T	11039597
FLEXIBLE ADAPTER DISCHARGE 450 PROTECTONE T	11039607
NON-RETURN 450 PROTECTONE T	11039617

### General data

Variants	Type of motor	Type of impeller
11039507	AC	Forward curve

### Dimensional data

Variants	A (mm)	A.R (mm)	B (mm)	B.R (mm)	C (mm)	D (mm)	E (mm)	F (mm)	G (mm)	H (mm)
11039507	1758	650	1373	43	1211	954	561	155	1000	571

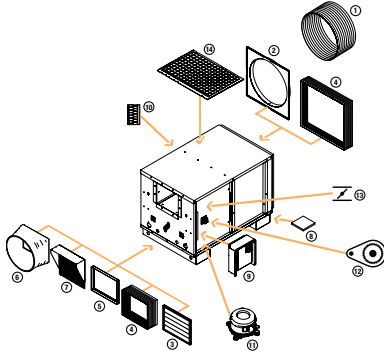


## 11039507 ProtectONE® TA 450 1SP

### Electrical datas

Variants	Id/In	Max. current (A)	Rated current (A)	Voltage (V)	Number of poles	Power (kW)	Caractéristiques électriques
11039507	7.3-7.8-6.4-6.1	11,6-16,3-32,8-32,8	10,5-14,8-21,3-29,8	400	4-4-4-4	5,5 - 7,5 - 11 - 15	<table><tr>

### Installation



Accessoires ProtectONE T

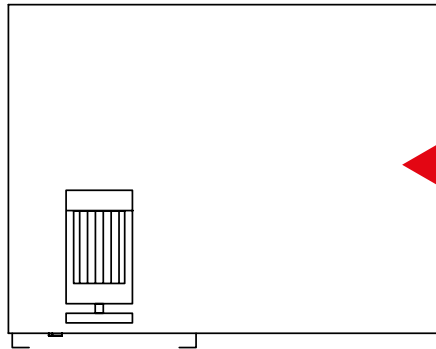


Schéma en vue de dessus, avec accès gauche

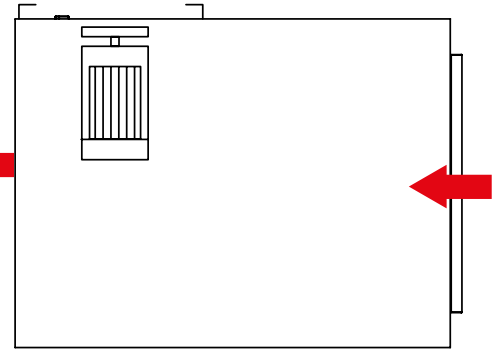
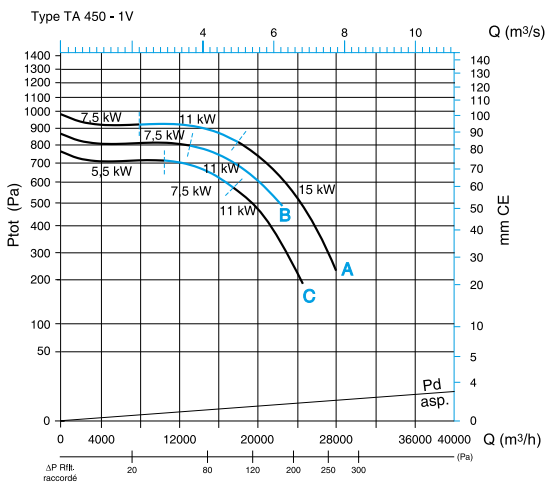


Schéma en vue de dessus, avec accès droit

### Curve



> curves as per NF EN ISO 5801:

- ducted intake, open outlet,
  - Ptot: Total pressure,
  - Pd intake. : dynamic pressure in duct on intake,
  - ΔP ducted outlet: higher pressure with ducted outlet rather than open outlet.
- > see ProtectONE TA 225 on use of curves.

I (mm)	J (mm)	M (mm)	N (mm)	O (mm)	Weight (kg)
485	685	569	569	200	404