

# 11039519

## ProtectONE® TA 560 2SP DAH

ProtectONE® TA 2SP is an F400-120 smoke and heat exhaust box fan for commercial and industrial premises.



Smoke exhaust unit ProtectONE T

### PRODUCT BENEFITS

- easy airflow adjustment with the exclusive ProtectONE® Adapt device,
- can be fully dismantled as standard,
- thermal insulation for installation in equipment rooms.

### REGLEMENTATIONS AND COMPLIANCES

PV CE number : 1812-CPR-1548

### Principles of operation

When commanded by the FACP, the safety box will activate ProtectONE® T in smoke exhaust mode to extract smoke. The box will then switch to “default” mode, then “standby”.

### Product description

ProtectONE® TA 2SP - Dahlander is an F400-120 smoke and heat exhaust box fan for commercial and industrial premises. It features a belt-driven forward curve impeller. The ProtectONE® Adapt adjustment device can adjust the exhaust airflow easily at any time.

### Fields of application

New, Refurbishment, Non-residential buildings

### Installation

- indoors or outdoors,
- indoor installation: use thermal-acoustic insulation option (EN 12101-3),
- outdoor installation: use rain hood + bird screen,
- proximity switch supplied fitted and wired, with position contacts.

### Main characteristics

- complies with CE marking 1812-CPR-1548,
- certified EFECTIS F400-120 as per EN12101-3,
- safety box compliant with NF standards (NF S61-937-1, NFS61937-9, NF 537),
- belt-driven exhaust box fan,
- 9 models for airflow from 1,000 to 40,000 m<sup>3</sup>/h,
- Dahlander 2-speed motor generating 1.5 kW to 20 kW,
- balanced forward curve impeller,
- adjustable pulley,
- class F electric motor, IP55,
- galvanised steel casing, can be dismantled as standard,
- motor access panel adjustable on site,
- proximity switch fitted in factory,
- built-in airflow adjustment device: ProtectONE® Adapt (patented system) exclusive to Aldes (optional),

## 11039519 ProtectONE® TA 560 2SP DAH

### Supplementary characteristics

- accessories:
  - square/circular adjustment plate for intake,
  - rain hood anti-bird visor on outlet,
  - rectangular and circular flexible sleeve,
  - rectangular/circular flexible adapter part on outlet,
  - anti-vibration mountings,
  - backdraft damper,
  - rain hood + grille,
  - outlet flange,
  - AXONE 1SP safety box, 1-speed progressive start,
  - AXONE 2SP safety box, 2-speed smoke exhaust and comfort + smoke exhaust,
- options:
  - "All-in-One" solution: safety box + switch + pressure switch installed and wired in factory,
  - choice of motor access panel,
  - horizontal or vertical outlet,
  - thermal + acoustic insulation certified 12101-3 for installation in equipment rooms,
  - variable pulley,
  - ProtectONE® Adapt (patented): rapid airflow adjustment.

### Accessories

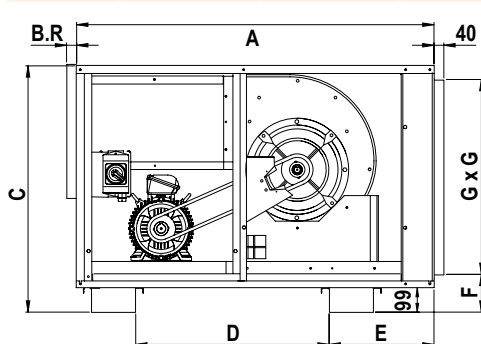
Désignations	References
ProtectONE® T vertical outlet grille 560	11039629
Flexible connector - Ø 800	11096931
Pack of 6 anti-vibration mountings	11039348
RECT SLEEV INTAKE 560 PROTECTONE T	11039499
RECT SLEEVE INT315/355 DIS560 PROTECTONE T	11039569
REC.CIR ADA INT D800 560 PROTE	11039579
RAIN HOOD GRILLE 560 PROTECTONE T	11039589
DISCHARGE FLANGE 560 PROTECT T	11039599
FLEXIBLE ADAPTER DISCHARGE 560 PROTECTONE T	11039609
NON-RETURN 560 PROTECTONE T	11039619

### General data

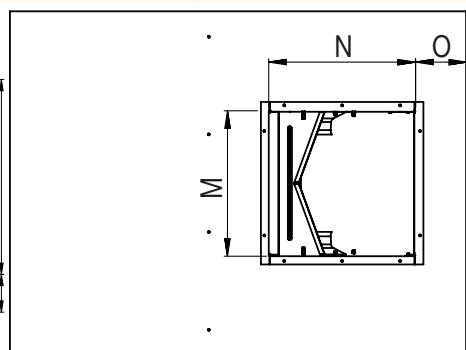
References	Type of motor	Type of impeller
11039519	AC	Forward curve

### Dimensional data

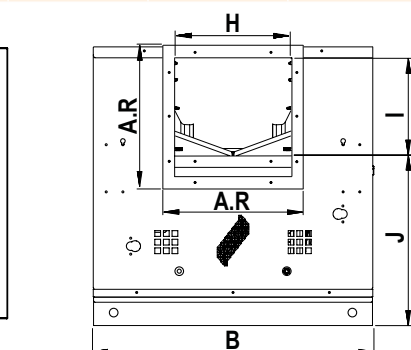
References	A (mm)	A.R (mm)	B (mm)	B.R (mm)	C (mm)	D (mm)	E (mm)	F (mm)	G (mm)	H (mm)
11039519	2093	800	1683	43	1381	1114	736	140	1200	717



Dimensions (mm) - profile view



Dimensions (mm) - top view



Dimensions (mm) - front view

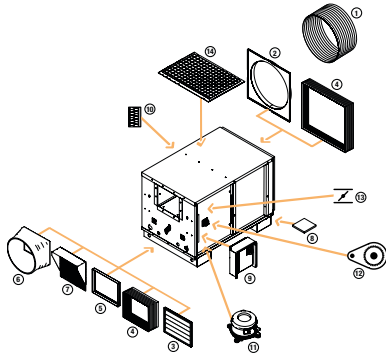
# 11039519

## ProtectONE® TA 560 2SP DAH

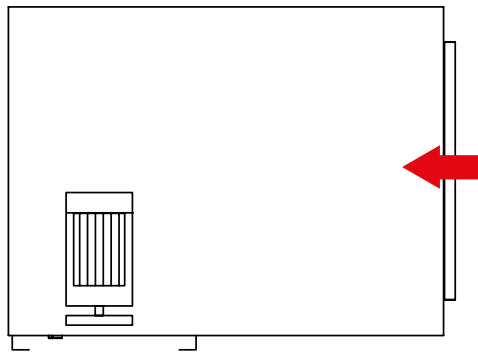
### Electrical datas

References	Id/In	Max. current (A)	Rated current (A)	Voltage (V)	Number of poles	Power (kW)
11039519	7.9/4.2-7/4.3-7.2/4.2-8.8/5.1	18,15/5,56-23,1/7,7-29,7/9,05-42,46/15,51	16,5/5,06-21/7-27/8,23-38,6/14,1	400	4	7,2/1,8 - 11/3 - 14/3,5 - 20/5

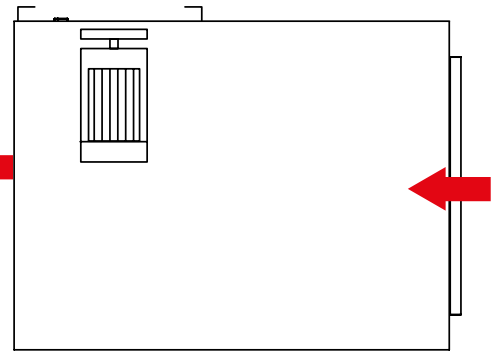
### Installation visual 1



Accessories ProtectONE T

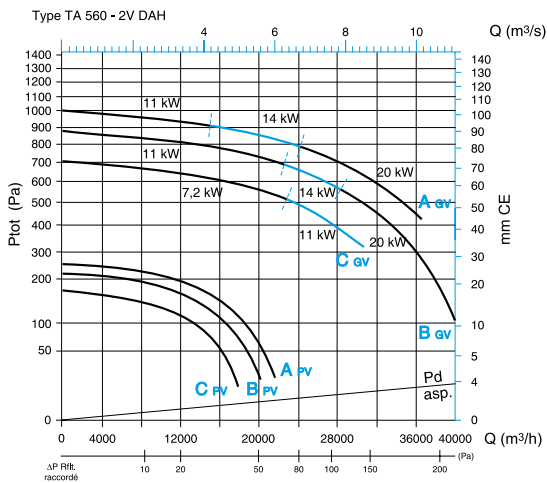


Drawing of top view with left side access



Drawing of top view with right side access

### Curve



> curves as per NF EN ISO 5801:

- ducted intake, open outlet,
  - Ptot: Total pressure,
  - Pd intake: dynamic pressure in duct on intake,
  - ΔP ducted outlet: higher pressure with ducted outlet rather than open outlet.
- > see ProtectONE TA 225 for explanations of curves.

Aeraulic properties ProtectONE® TA 560 - 2SP - DAH

I (mm)	J (mm)	M (mm)	N (mm)	O (mm)	Weight (kg)
603	737	715	715	248	563