

11039535

ProtectONE® TR 355 1SP

ProtectONE® TR 1SP is an F400-120 1-speed smoke and heat exhaust box fan for commercial and industrial premises.



Smoke exhaust unit ProtectONE T

PRODUCT BENEFITS

- easily adjusted airflow with the exclusive ProtectONE® Adapt system,
- can be fully dismantled as standard (except for insulated model),
- thermal insulation for installation in equipment room,
- backward curve impeller: smaller variation in airflow even if pressure losses vary.

REGLEMENTATIONS AND COMPLIANCES

PV CE number : 1812-CPR-1548

Principles of operation

When commanded by the FACP, the safety box will activate ProtectONE® T in smoke exhaust mode to extract smoke. The box will then switch to “default” mode, then “standby”.

Product description

ProtectONE® TR 1SP is an F400-120 1-speed smoke and heat exhaust box fan for commercial and industrial premises. It features a belt-driven backward curve impeller. The ProtectONE® Adapt adjustment device can adjust the exhaust airflow easily at any time.

Fields of application

New, Refurbishment, Non-residential buildings

Installation

- indoors or outdoors,
- indoor installation: use thermal-acoustic insulation option (EN 12101-3),
- outdoor installation: use rain hood + bird screen,
- proximity switch supplied fitted and wired, with position contacts.

Main characteristics

- complies with CE marking 1812-CPR-1548,
- certified EFECTIS F400-120 as per EN12101-3,
- safety box compliant with NF standards (NF S61-937-1, NFS61937-9, NF 537),
- compliant with European eco-design regulation (no. 1253/2014),
- belt-driven exhaust box fan,
- 8 models for airflow from 1,000 to 35,000 m³/h,
- single-speed motor generating 1.1 kW to 22 kW,
- balanced backward curve impeller,
- adjustable pulley,
- class F electric motor IP55,
- galvanised steel casing, can be dismantled as standard,
- motor access panel adjustable on site,
- proximity switch fitted in factory,
- airflow adjustment device built into unit: ProtectONE® Adapt (patented system), exclusive to ALDES (option),
- ProtectONE® TR 1-speed can extract:
 - smoke and hot gases in case of fire in all non-residential buildings,
 - stale air in non-residential and industrial buildings,
 - pollutants in professional kitchens.

11039535 ProtectONE® TR 355 1SP

Supplementary characteristics

- accessories:
 - square/circular adjustment plate for intake,
 - rain hood anti-bird visor on outlet,
 - rectangular and circular flexible sleeve,
 - rectangular/circular flexible adapter part on outlet,
 - anti-vibration mountings,
 - backdraft damper,
 - rain hood + grille,
 - outlet flange,
 - AXONE 1SP safety box, 1-speed progressive start,
 - AXONE 2SP safety box, 2-speed smoke exhaust and comfort + smoke exhaust.
- available options:
 - "All-in-One" solution: safety box + switch + pressure switch installed and wired in factory,
 - choice of motor access panel,
 - horizontal or vertical outlet,
 - thermal + acoustic insulation certified 12101-3 for installation in equipment rooms,
 - variable pulley,
 - ProtectONE® Adapt (patented): rapid airflow adjustment.

Accessories

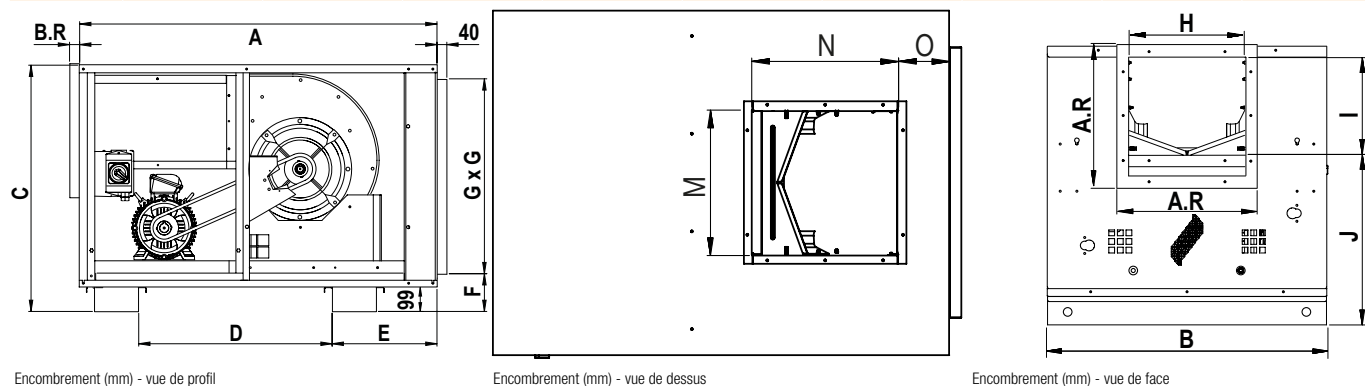
Désignations	References
ProtectONE® T vertical outlet grille 355	11039625
Flexible connector - Ø 630	11096942
Pack of 6 anti-vibration mountings	11039348
RECSLV INT225DIS355 PROTECT T	11039566
REC.CIR ADA INT D630 355 PROTE	11039575
RAIN HOOD GRILLE 355 PROTECTONE T	11039585
DISCHARGE FLANGE 355 PROTECT T	11039595
FLEXIBLE ADAPTER DISCHARGE 355 PROTECTONE T	11039605
NON-RETURN 355 PROTECTONE T	11039615

General data

References	Type of motor	Type of impeller
11039535	AC	Backward curve

Dimensional data

References	A (mm)	A.R (mm)	B (mm)	B.R (mm)	C (mm)	D (mm)	E (mm)	F (mm)	G (mm)	H (mm)
11039535	1467	550	1092	43	1011	794	430	155	800	455



Encombrement (mm) - vue de profil

Encombrement (mm) - vue de dessus

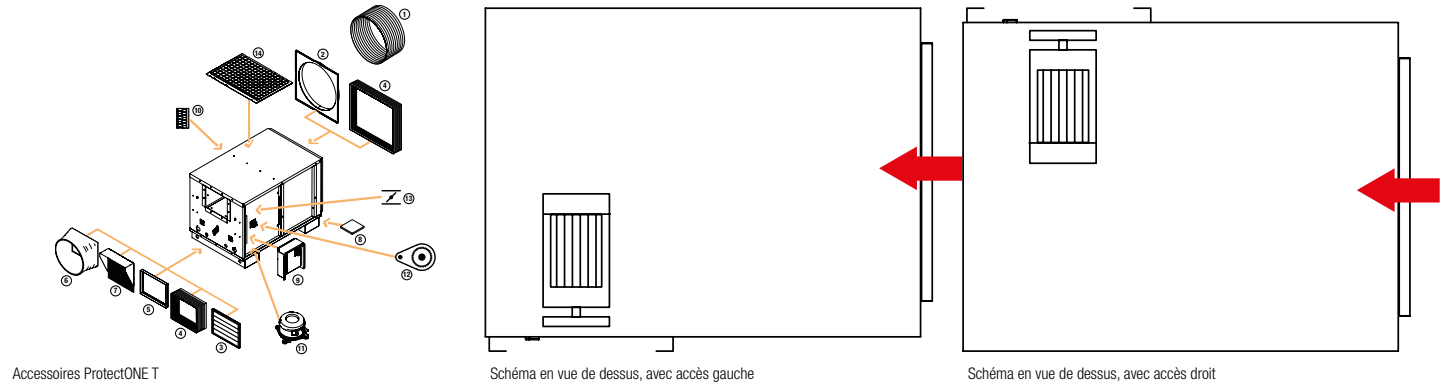
Encombrement (mm) - vue de face

11039535 ProtectONE® TR 355 1SP

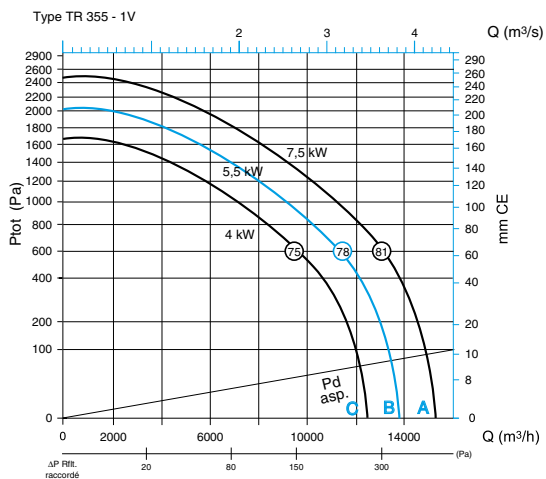
Electrical datas

References	Id/In	Max. current (A)	Rated current (A)	Voltage (V)	Number of poles	Power (kW)
11039535	7- 7.2- 7.5(2P)/ 7.8(4P)	8,4-11,7-15,5(2P)/16,3(4P)	7,6-10,6-14,1(2P)/14,8(4P)	400	02-apr	4 - 5,5 - 7,5

Installation visual 1



Curve



> curves as per NF EN ISO 5801 :

- ducted intake, open outlet,
 - Ptot: Total pressure,
 - Pd intake. : dynamic pressure in duct on intake,
 - ΔP ducted outlet: higher pressure with ducted outlet rather than open outlet.
- > see ProtectONE TA 225 on use of curves.

Aeraulic properties	ProtectONE® TR 355 - 1SP				
I (mm)	J (mm)	M (mm)	N (mm)	O (mm)	Weight (kg)
382	588	453	453	163	227