

# 11039548

## ProtectONE® TR 500 2SP DAH

ProtectONE® TR 2SP is an F400-120 smoke and heat exhaust box fan for commercial and industrial premises.



Smoke exhaust unit ProtectONE T

### PRODUCT BENEFITS

- easily adjusted airflow with the exclusive ProtectONE® Adapt system,
- can be fully dismantled as standard (except for insulated model),
- thermal insulation for installation in equipment room,
- backward curve impeller: smaller variation in airflow even if pressure losses vary.

### REGLEMENTATIONS AND COMPLIANCES

PV CE number : 1812-CPR-1548

### Principles of operation

When commanded by the FACP, the safety box will activate ProtectONE® T in smoke exhaust mode to extract smoke. The box will then switch to “default” mode, then “standby”.

### Product description

ProtectONE® TR 2SP - Dahlander is an F400-120 smoke and heat exhaust box fan for commercial and industrial premises. It features a belt-driven backward curve impeller. The ProtectONE® Adapt adjustment device can adjust the exhaust airflow easily at any time.

### Fields of application

New, Refurbishment, Non-residential buildings

### Installation

- indoors or outdoors,
- indoor installation: use thermal-acoustic insulation option (EN 12101-3),
- outdoor installation: use rain hood + bird screen,
- proximity switch supplied fitted and wired, with position contacts.

### Main characteristics

- complies with CE marking 1812-CPR-1548,
- certified EFECTIS F400-12 as per EN12101-3,
- safety box compliant with NF standards (NF S61-937-1, NFS61937-9, NF 537),
- belt-driven exhaust box fan,
- 8 models for airflow from 1,000 to 35,000 m<sup>3</sup>/h,
- Dahlander 2-speed motor generating 1.5 kW to 20 kW,
- balanced backward curve impeller,
- adjustable pulley,
- class F electric motor, IP55,
- galvanised steel casing, can be dismantled as standard,
- motor access panel adjustable on site,
- proximity switch fitted in factory,
- built-in airflow adjustment device: ProtectONE® Adapt (patented system) exclusive to Aldes (optional),
- ProtectONE® TR 2SP DAH removes:
  - smoke and hot gases in case of fire from any commercial building,
  - contaminated air in commercial and industrial premises,
  - pollutants in professional kitchens.

## 11039548 ProtectONE® TR 500 2SP DAH

### Supplementary characteristics

- accessories:
  - square/circular adjustment plate for intake,
  - rain hood anti-bird visor on outlet,
  - rectangular and circular flexible sleeve,
  - rectangular/circular flexible adapter part on outlet,
  - anti-vibration mountings,
  - backdraft damper,
  - rain hood + grille,
  - outlet flange,
  - AXONE 1SP safety box, 1-speed progressive start,
  - AXONE 2SP safety box, 2-speed smoke exhaust and comfort + smoke exhaust.
- available options:
  - "All-in-One" solution: safety box + switch + pressure switch installed and wired in factory,
  - choice of motor access panel,
  - horizontal or vertical outlet,
  - thermal + acoustic insulation certified 12101-3 for installation in equipment rooms,
  - variable pulley,
  - ProtectONE® Adapt (patented): rapid airflow adjustment.

### Accessories

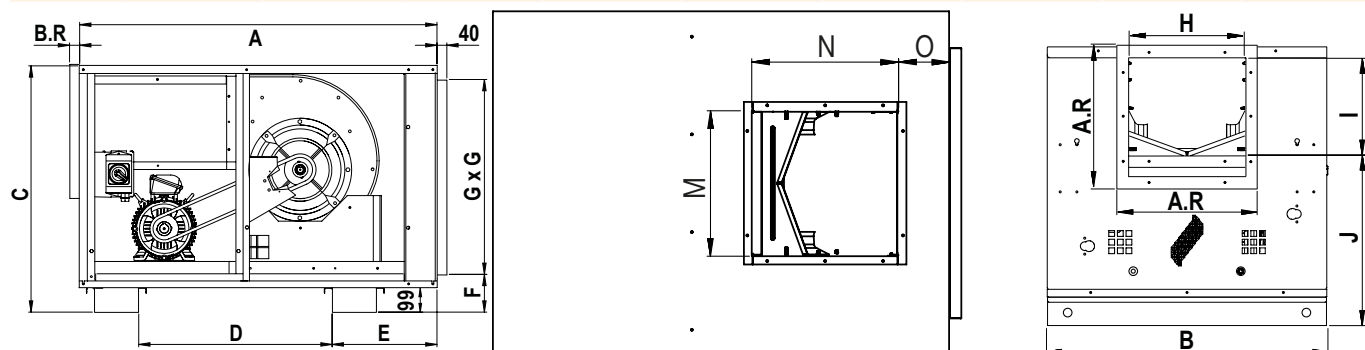
Désignations	References
ProtectONE® T vertical outlet grille 500	11039628
Flexible connector - Ø 800	11096931
Pack of 6 anti-vibration mountings	11039348
RECT SLEEV INTAKE 500 PROTECTONE T	11039498
RECT SLV INTK280 500 PROTECTONE T	11039568
REC.CIR ADA INT D800 500 PROTE	11039578
RAIN HOOD GRILLE 500 PROTECTONE T	11039588
DISCHARGE FLANGE 500 PROTECT T	11039598
FLEXIBLE ADAPTER DISCHARGE 500 PROTECTONE T	11039608
NON-RETURN 500 PROTECTONE T	11039618

### General data

References	Type of motor	Type of impeller
11039548	AC	Backward curve

### Dimensional data

References	A (mm)	A.R (mm)	B (mm)	B.R (mm)	C (mm)	D (mm)	E (mm)	F (mm)	G (mm)	H (mm)
11039548	1918	700	1503	43	1281	1034	641	140	1100	640



Encombrement (mm) - vue de profil

Encombrement (mm) - vue de dessus

Encombrement (mm) - vue de face

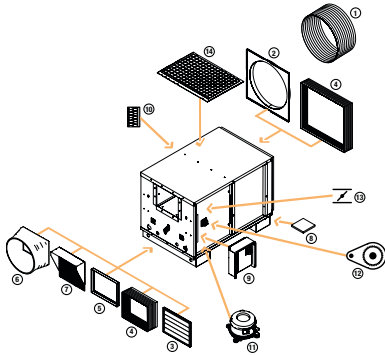
# 11039548

## ProtectONE® TR 500 2SP DAH

### Electrical datas

References	Id/In	Max. current (A)	Rated current (A)	Voltage (V)	Number of poles	Power (kW)
11039548	7.9/4.2-7/4.3-7.2/4.2	18,15/5,56-23,1/7,7-29,7/9,05	16,5/5,06-21/7-27/8,23	400	04-aug	7,2/1,8 - 11/3 - 14/3,5

### Installation visual 1



Accessoires ProtectONE T

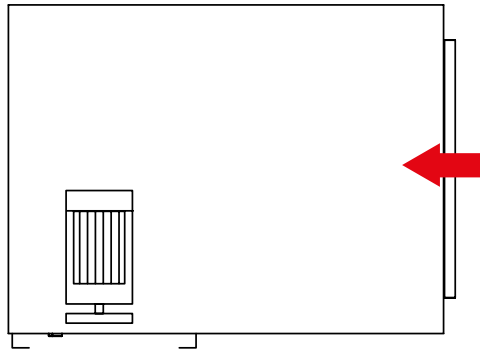


Schéma en vue de dessus, avec accès gauche

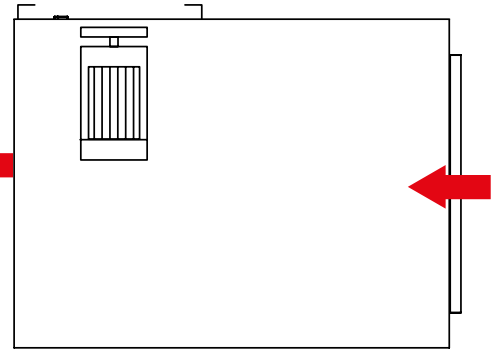
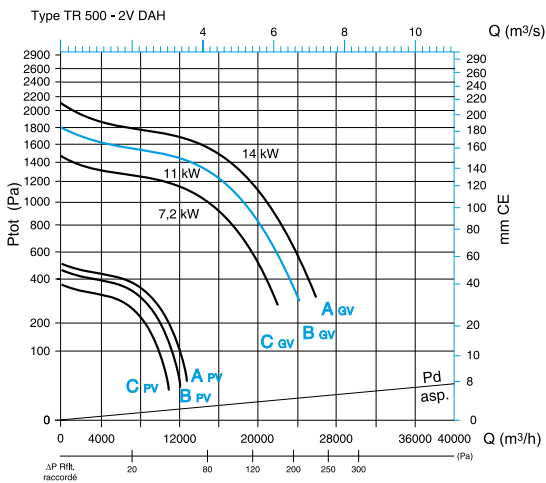


Schéma en vue de dessus, avec accès droit

### Curve



- > curves as per NF EN ISO 5801:
- ducted intake, open outlet,
- Ptot: Total pressure,
- Pd intake : dynamic pressure in duct on intake,
- ΔP ducted outlet: higher pressure with ducted outlet rather than open outlet.
- > see ProtectONE TA 225 for explanations of curves.

Aeraulic properties ProtectONE® TR 500 - 2SP - DAH

I (mm)	J (mm)	M (mm)	N (mm)	O (mm)	Weight (kg)
538	702	638	638	227	435