

Connector

11066362

RCO GALVA - 515x215 / 490x130

The RCO oblong concentric reducer joins two galvanised ducts of different diameters together.



Oblong Concentric Reducer

PRODUCT BENEFITS

- small size for high airflow,
- good airtight performance and controlled pressure losses,
- easy to install and maintain (no inaccessible corners).

Product description

The RCO oblong concentric reducer joins two galvanised ducts of different diameters together.

Fields of application

Multi-occupancy residential housing, New, Refurbishment, Non-residential buildings

Installation

- easy assembly of interlocking accessories: ducts are female, accessories are male,
- Final seal requires sealant and/or perforated strip,
- attached to duct using self-tapping screws (4 to 6 depending on diameter).

Reference arguments

Application:

- Oblong accessories for installation of ventilation systems in confined spaces (suspended ceiling, horizontal side flues conveying high airflow, etc.)
- Oblong concentric reducer used to connect two oblong ducts of different sizes

Description:

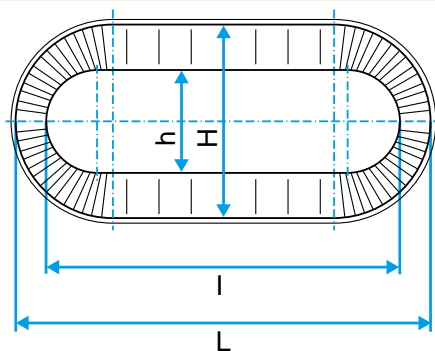
- RCO oblong-oblong concentric reducer, galvanised steel
- Length 515 mm x height 215 mm - Length 490 mm x height 130 mm

Main characteristics

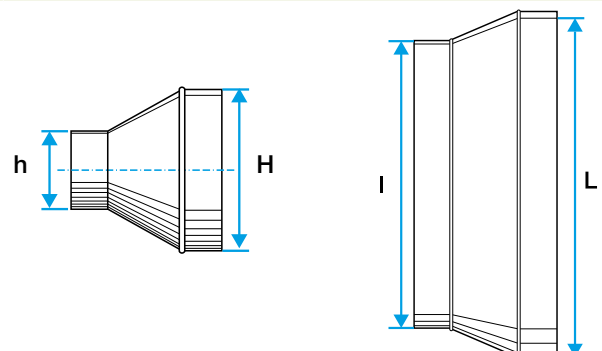
- standard dimensions (20 oblong sections),
- galvanised steel as per EN 10346 ensuring uniformity of coating,
- MO fire certification.

Dimensional data

| References | H (mm) | L (mm) |
|------------|--------|--------|
| 11066362 | 215 | 515 |



Dimensional diagram Oblong Concentric Reducer



Dimensional diagram Oblong Concentric Reducer

Connector

11066362

RCO GALVA - 515x215 / 490x130

Regulatory data

| References | Fire protection rating |
|------------|------------------------|
| 11066362 | M0 |