

## Connector

# 11063041

## RFO GALVA - 360x80

The RFO oblong female connector connects two galvanised oblong accessories together.



Raccord Femelle Oblong

### PRODUCT BENEFITS

- small size for high airflow,
- good airtight performance and controlled pressure losses,
- easy to install and maintain (no inaccessible corners).

### Product description

The RFO oblong female connector connects two galvanised oblong accessories together.

### Fields of application

Multi-occupancy residential housing, New, Refurbishment, Non-residential buildings

### Installation

- easy assembly of interlocking accessories: ducts are female, accessories are male,
- Final seal requires sealant and/or perforated strip,
- attached to duct using self-tapping screws (4 to 6 depending on diameter).

### Reference arguments

Application:

- Oblong accessories for installation of ventilation systems in confined spaces (suspended ceiling, horizontal side flues conveying high airflow, etc.)
- Connection between two oblong accessories of same dimensions

Description:

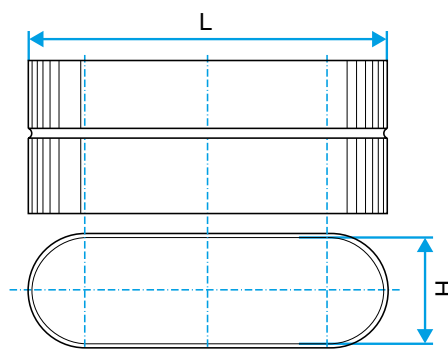
- Oblong female connector made of galvanised steel.
- Length 360 mm and height 80 mm.

### Main characteristics

- standard dimensions (20 oblong sections),
- galvanised steel as per EN 10346 ensuring uniformity of coating,
- MO fire certification.

### Dimensional data

References	H (mm)	L (mm)
11063041	80	360



Dimensional drawing Oblong Female Connector

### Connector

**11063041**  
RFO GALVA - 360x80

### Regulatory data

References	Fire protection rating
11063041	M0