

Connector**11091315****RT Flex extendible flexible airtight connection 10 to 30 cm Ø 125 mm**

The RT Flex provides a durable, airtight terminal connection between the riser and the terminal, on multi-occupancy residential or commercial building systems.



RT Flex connection 10-30 cm

PRODUCT BENEFITS

- guaranteed airtight seal on riser/terminal connection,
- "all-in-one" product for fast, rapid installation.

Product description

The RT Flex airtight flexible connection provides a durable, airtight terminal connection between the riser and the terminal, on multi-occupancy residential or non-residential systems. RT Flex is an "all-in-one" product which features a female connector, an extendible duct and a trident sleeve for connection to the terminal and support in the plasterboard. RT Flex is compatible with all ALDES Ø125 terminals except gas terminals. It is compatible with standard and sealed ducting.

Fields of application

Multi-occupancy residential housing, New, Refurbishment, Non-residential buildings

Installation

- connection to the riser is made using the metal female connector, preferably to a sealed connection (in this case, no need for sealant or screws),
- connection to the terminal requires the plastic sleeve to ensure an airtight join,
- the trident sleeve is fixed to the plastic sleeve by rotation and supports the assembly mechanically in the plasterboard,
- installation possible in all types of plasterboard less than 18 mm thick.

Reference arguments

Application:

- compatible with all Aldes Ø125 mm terminals (except gas terminals) and standard or sealed ducting,
- installation in all types of plasterboard less than 18 mm thick.

Description:

- Connection comprising:
 - a metal female connector preferably slotted on to a sealed connection (no need for sealant or screws in this case)
 - an aluminium Alflex duct extendible from 10 to 30 cm
 - a white plastic sleeve with an end piece ensuring a connection and airtight seal of the terminal in the hose.

Main characteristics

- Composition of connection:
 - a metal female connector preferably slotted on to a sealed connection (no need for sealant or screws in this case),
 - Alflex aluminium duct extensible from 10 to 30 cm or 30 to 120 cm,
 - a plastic sleeve comprising an end piece to ensure the terminal slots into the flexible duct with an airtight connection, as well as a Trident sleeve clipped onto the end-piece while rotating about itself and which ensures mechanical grip inside plasterboard when the assembly is pushed in.
- installation possible in all types of plasterboard less than 18 mm thick,
- M0 fire rating.

Dimensional data

References	Ø (mm)
11091315	125

Connector

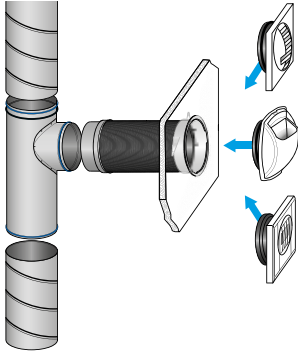
11091315

RT Flex extendible flexible airtight connection 10 to 30 cm Ø 125 mm

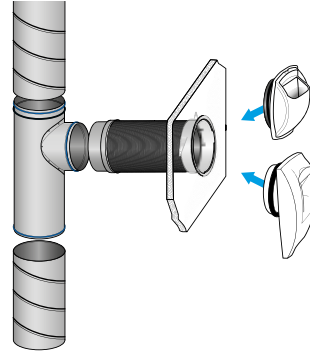
Regulatory data

References	Fire protection rating
11091315	M0

Installation visual 1



Mise en oeuvre RT Flex et bouches



Mise en oeuvre RT Flex et bouches