

Heat and smoke exhaust box fan accessory

11039166

Rectangular/circular adapter Ø 500 for air intake T1 ProtectONE® R 90°



Product description

The rectangular-circular adapter is used to connect the ProtectONE® R unit to smoke and heat exhaust ducting (air inlet or outlet).

Fields of application

New, Refurbishment, Non-residential buildings

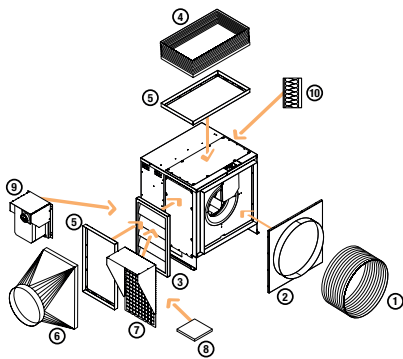
Installation

- outlet flange required to install the adapter on the ProtectONE® R unit.

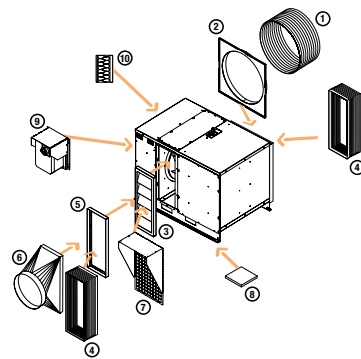
Main characteristics

- non-flammable flexible adapter,
- 3 sizes available.

Installation



Options and accessories for ProtectONE® R (90° model)



ProtectONE® R EL