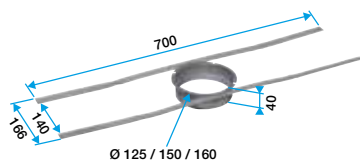


11022011

Roof attachment D150

The socket tile outlet fastener is used to connect the air outlet behind a socket tile for a CMEV system.



Socket tile outlet fastener.

Product description

The socket tile outlet fastener is a galvanised steel sleeve used to connect the air outlet behind a socket tile for a CMEV system.

Fields of application

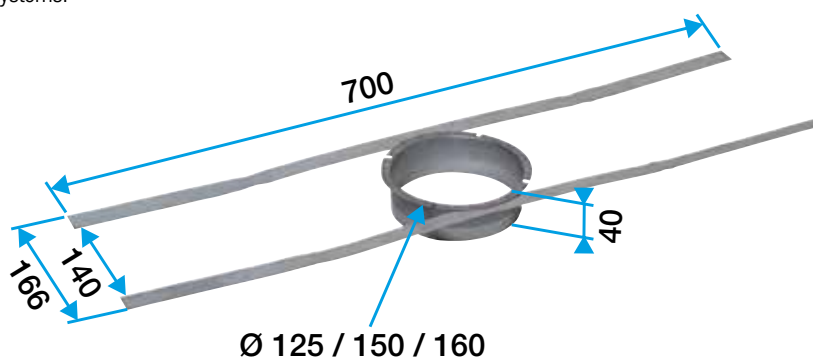
Multi-occupancy residential housing, Individual residential housing, New, Refurbishment

Installation

- requires a tile and cowl of sufficient dimensions to prevent air escaping into the attic.

Main characteristics

- galvanised steel fastening brackets and sleeve,
- available in 125 mm, 150 mm and 160 mm diameters,
- not compatible with Gas CMEV systems.



Encombrement fixation pour rejet sur tuile à douille