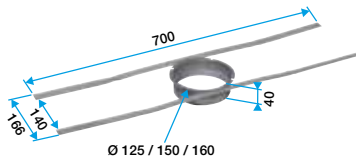


# 11022047

## Roof attachment D160

The socket tile outlet fastener is used to connect the air outlet behind a socket tile for a CMEV system.



Socket tile outlet fastener.

### Product description

The socket tile outlet fastener is a galvanised steel sleeve used to connect the air outlet behind a socket tile for a CMEV system.

### Fields of application

Multi-occupancy residential housing, Individual residential housing, New, Refurbishment

### Installation

- requires a tile and cowl of sufficient dimensions to prevent air escaping into the attic.

### Reference arguments

Application:

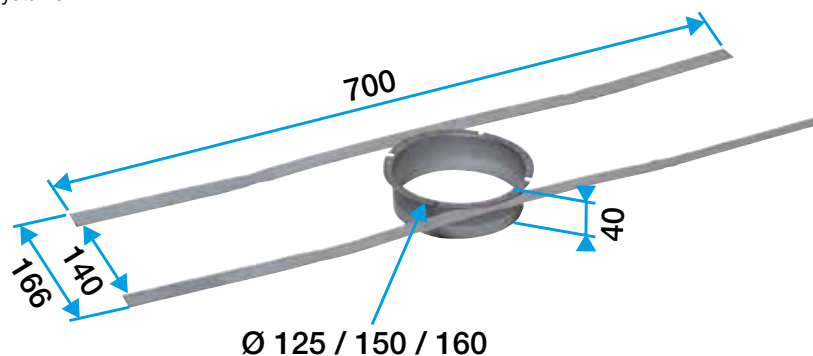
- Roof frame attachment D160 for exhaust and heat recovery ventilation systems in individual houses, new builds or refurbishment

Description:

- Galvanised steel sleeve
- Galvanised steel fastening brackets
- Available in Ø 125 mm, Ø 150 mm or Ø 160 mm. CAUTION: requires a socket tile and cowl of sufficient dimensions to prevent air discharge into attic

### Main characteristics

- galvanised steel fastening brackets and sleeve,
- available in 125 mm, 150 mm and 160 mm diameters,
- not compatible with Gas CMEV systems.



Encombrement fixation pour rejet sur tuile à douille