

11022037

Round roof outlet D150 + lead plate

The round outlet is used for air outlet or intake on a CMEV or gas CMEV system in a single-family dwelling.



Round Outlet for socket tile

PRODUCT BENEFITS

- very low pressure losses,
- compatible with Gas CMEV,
- available with lead plate or for socket tile.

Product description

The round outlet is used for air outlet or intake on a CMEV or gas CMEV system in a single-family dwelling. It is compatible with all roof types (lead plate) or for socket tile Ø 150 mm interior diameter.

Fields of application

Individual residential housing, New, Refurbishment

Installation

- for all roof types (lead plate) or for socket tile Ø 150 mm interior diameter.

Reference arguments

Application:

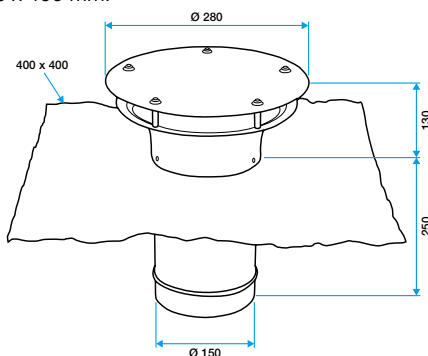
- Roof cowl outlet for exhaust and heat recovery ventilation systems in individual houses, new builds or refurbishment

Description:

- Brown aluminium deflector
- Aluminium sleeve, Ø 150 mm
- Ø 125 mm connection with adapter seal
- Lead plate 400 x 400 mm

Main characteristics

- aluminium deflector, brown,
- aluminium sleeve, diameter 150 mm,
- 125 mm diameter connection with adapter seal,
- lead plate 400 x 400 mm.



Encombrenement sortie ronde + plaque de plomb



Encombrenement sortie ronde pour tuile à douille