

## Wall grille

# 11050061

## SC102D F3 250X100

The SC 102 D steel wall grille enables air extraction on all ventilation and air-conditioning systems.



SC102D F3 250X100

### PRODUCT BENEFITS

- adjustable vanes,
- easy to install / remove.

### Principles of operation

The SC 102 D dual-deflection has individually dirigible horizontal and vertical vanes to adjust the air supply level in a room.

### Product description

The SC 102 D is a steel dual deflection wall-mounted grille, white paint coating, with individually adjustable, movable horizontal rear and vertical front vanes.

### Fields of application

New, Refurbishment, Non-residential buildings

### Installation

- wall installation,
- concealed F3 attachment using friction clips.

### Reference arguments

- AC 101 and SC 101 F3: single deflection terminal (exhaust) with vertical, individually adjustable vanes, pitch 20 mm.
- AC 102 D F3 and SC 102 D F3: double deflection grille (air supply) with movable, individually adjustable horizontal fins at rear, vertical at front, 20 mm pitch.
- AC models: anodised aluminium, natural satin finish.
- SC models: steel with epoxy paint finish, RAL 9010 white.
- Concealed attachment using friction clips.

### Main characteristics

- Steel with white epoxy paint finish, RAL 9003 30% matt,
- horizontal fins at the rear and vertical fins at the front, individually adjustable, 20 mm pitch
- dimensions from 75 x 75 to 1200 x 600 mm with increments of 25 mm in length & height.

### Accessories

Désignations	References
Adapter F4 250X100	11053762
PLEN. ME F3 250X100/D100 PC	11053663
MTF3 250X100/D100 PLENUM PA	11053633
RECT DAMPER SGS 250X100	11053242
ME Plenum F3 250X100/D100 PC cfg	11053612
MT Plenum F3 250X100/D100 PA cfg	11053436

### General data

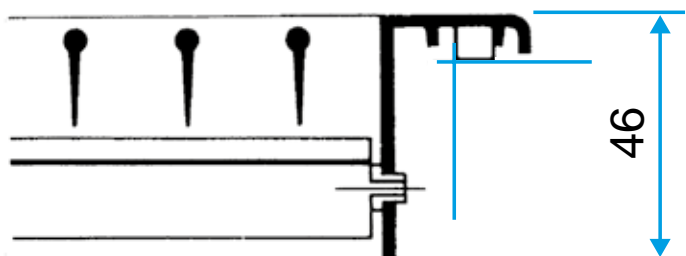
References	Type of finish	Colour
11050061	Epoxy paint	Lagoon blue

Wall grille

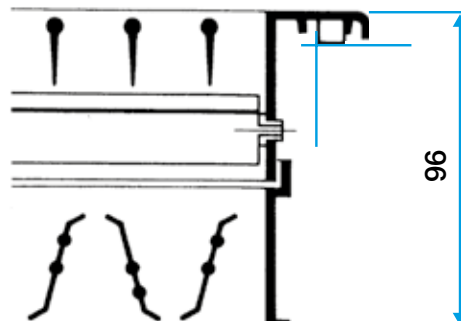
11050061  
SC102D F3 250X100

Dimensional data

References	H (mm)	L (mm)
11050061	100	250



Grille SC 102 D seule



Grille SC 102 D avec registre AGB ou SGS monté

Airflow data

References	Comfort airflow for $L_w < NR 25$ (m <sup>3</sup> /h)
11050061	250