

**Ceiling diffuser****11002144**  
**SC310R 562x562 D315 AxB=600<sup>2</sup>**

The SC 310 R is a square slotted opening diffuser, operating in up to 4 directions using adjustable deflectors.



Diffuser SC 310R

**PRODUCT BENEFITS**

- circular connection for faster installation,
- up to four diffusion directions adjustable on site.

**Principles of operation**

The SC 310 R diffuser is installed on a plaster or BA13 ceiling. It diffuses air in up to 4 directions using adjustable deflectors. It opens to enable easy access for installation and maintenance.

**Product description**

The SC 310 R is a square slotted opening air supply diffuser, operating in up to 4 directions using individually adjustable deflectors. For installation in plaster and plasterboard ceilings. Diffuses air in HVAC systems. This diffuser is made of steel with epoxy coating RAL 9003 white 30% gloss. It features concealed attachments and is connected directly to circular ducting or using an NE plenum.

**Fields of application**

Non-residential buildings

**Installation**

The SC 310 R diffuser is installed flush with the ceiling. It can be connected directly to the ducting or using an NE plenum with a side branch connection, which will enable the air to expand and offer more homogeneous diffusion.

**Main characteristics**

- SC 310R adjustable square slotted plate opening air supply diffuser,
- up to 4 diffusion directions using individually adjusted deflectors,
- steel with epoxy paint:
  - standard: RAL 9003 white 30% matt,
  - option: other RAL.
- concealed attachment to concrete slab using F16 brackets on diffuser,
- direct connection to circular duct,
- flush-mounted on ceiling,
- concealed attachment:
  - F0: screws in the side of the neck,
  - F16: with 3 brackets riveted to shell.
- connection to circular ducts,
- thermal insulation on outside of shell (optional).

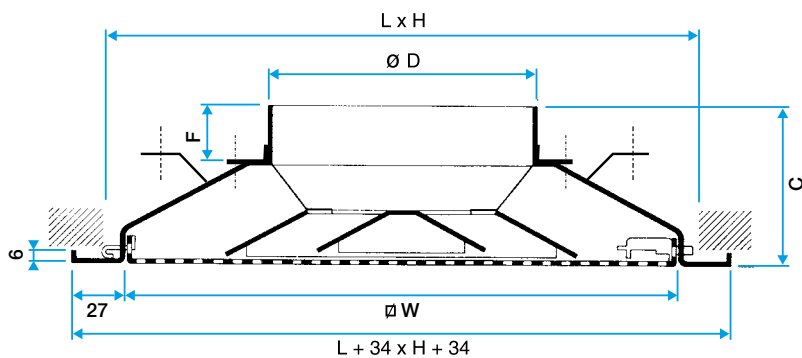
Ceiling diffuser

11002144

SC310R 562x562 D315 AxB=600<sup>2</sup>

Supplementary characteristics

- accessories:
  - BR damper,
  - galvanised steel plenum with side branch connection (NE).



Diffuseur SC 310 R