

**Ceiling diffuser****11051145**  
**SC360R F16 D160 AxB=600x600 (c66.3)**

The SC 310 R is a square slotted opening diffuser, operating in up to 4 directions, for standard ceiling tile.



SC360R F16 D160 AxB=600x600 (c66.3)

**PRODUCT BENEFITS**

- for 600x600 and 675x675 mm suspended ceiling tiles,
- circular connection for faster installation,
- up to 4 airflow directions, adjustable on site.

**Principles of operation**

The SC 360 R diffuser is installed in the place of a standard 600x600 or 675x675 mm suspended ceiling tile. It diffuses air in up to 4 directions using individually adjustable deflectors.

**Product description**

The SC 360 R is a square slotted opening air supply diffuser, operating in up to 4 directions using individually adjustable deflectors. It is installed in place of 600x600 and 675x675 ceiling panels. Diffuses air in HVAC systems. This diffuser is made of steel with epoxy coating RAL 9003 white 30% gloss. It features concealed attachments and is connected directly to a circular duct or using an NE plenum.

**Fields of application**

Non-residential buildings

**Installation**

The SC 360 R diffuser is installed flush with the ceiling. It can be connected directly to the ducting or using an NE plenum with a side branch connection, which will enable the air to expand and offer more homogeneous diffusion.

**Reference arguments**

- Removable slotted plate.
- Designed based on a SC 310 R or SC 319 R standard diffuser built into a steel compensation plate.
- Steel finish, epoxy paint RAL 9010 white.
- Concealed attachment to concrete slab using F16 brackets fitted to diffuser. Note: the weight of the diffuser must not be borne by the suspended ceiling framework. Use the suspension cables on page xxx.
- Direct connection to circular duct.
- Heat-insulated version to avoid any risk of condensation in air conditioning applications.

**Main characteristics**

- SC 360R slotted square adjustable opening diffuser,
- up to 4 airflow directions with individually adjustable deflectors,
- steel with epoxy coating:
  - standard: RAL 9010 white matt 30%,
  - optional other RAL.
- concealed attachment to concrete slab using tabs fitted on diffuser (F16 attachment method),
- connection:
  - directly to a circular duct,
  - using a plenum.
- flush installation on ceiling to replace 600x600 or 675x675 mm tile,
- concealed attachment:
  - F0: lateral screws in neck,
  - F16: with 3 attachment tabs riveted to shell.
- connection to circular ducting:
- thermal insulation on outside of shell (optional).

Ceiling diffuser

## 11051145

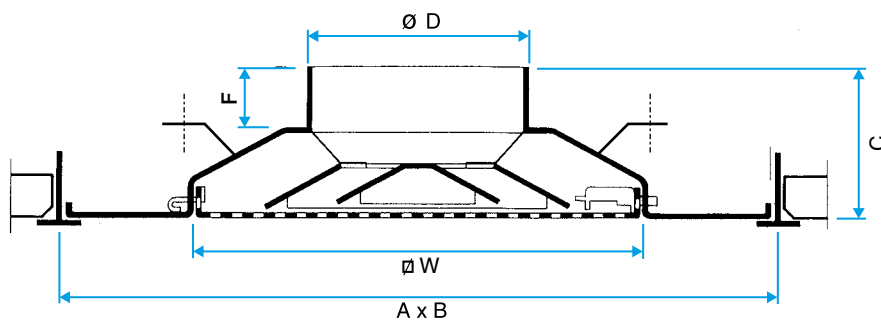
SC360R F16 D160 AxB=600x600 (c66.3)

### Supplementary characteristics

- accessories:
  - BR damper,
  - galvanised steel plenum with side branch connection (NE).

### Dimensional data

References	A x B* (mm)	C (mm)	F (mm)	H3 (mm)	L x H (mm)	W (mm)	Ø D (mm)
11051145	600X600	98	55	260	600X600	280	160



Diffuseur SC 360 R

### Airflow data

References	Comfort airflow for Lw 40 dB(A) (extract with filter) (m³/h)	Comfort airflow for Lw 40 dB(A) (air supply) (m³/h)
11051145	250	250