

Swirl jet diffuser**11051133****SF 786 F7 600x600 RAL9003-30%**

The SF 786 is a square adjustable swirl jet diffuser for air diffusion in commercial buildings.



SF 786 F7 600x600 RAL9010-85%

PRODUCT BENEFITS

- swirl jet diffuser,
- ideal for systems requiring high mixing rate.

Principles of operation

The SF 786 can be installed in any type of plaster or BA13 ceiling, or in a suspended ceiling. This adjustable square diffuser delivers air in a swirl jet.

Product description

The SF 785 is a steel adjustable swirl jet ceiling diffuser for ventilation or air-conditioning systems in commercial buildings. This diffuser offers rapid homogenisation of temperatures. It is especially suited to systems with high mixing rates and low effective room heights. It is available in several dimensions from 400 x 400 to 825 to 825 mm (including 600 x 600 mm for suspended ceiling tiles). Epoxy coating RAL 9010 white - 85% finish.

Fields of application

Non-residential buildings

Installation

The SF 786 is installed on the ceiling using the visible attachment of the central screw and for plaster or BA13 ceiling types. The system must be attached to the concrete slab using tabs on the plenum.

Reference arguments

- Steel with epoxy paint finish, RAL 9003 white 30%.
- Adjustable vanes made of black polypropylene (SF 785) or fixed steel vanes (SF 786).
- attachment to plenum using central screw (F7). This attachment method is compatible with non-removable plaster or BA13 plasterboard ceilings.
- Concealed attachment to concrete slab using brackets on connection plenum. Use suspension cables.

Main characteristics

- adjustable steel swirl jet diffuser,
- rapid homogenisation of temperatures,
- high mixing rate,
- low effective ceiling heights,
- available in version 400 x 400 to 825 x 825 mm or for 600 x 600 mm suspended ceiling tiles,
- epoxy coating RAL 9010 white 85%,
- attachment to plenum using central screw (F7) for plaster or BA13 type fixed ceilings,
- concealed attachment to concrete slab using tabs on connection plenum.

Supplementary characteristics

- accessories:
 - RE connection plenum with side branch connection,
 - RT connection plenum with top branch connection,
 - built-in flow splitter.

Accessories

Désignations	References
RE780 PLENUM / SF785-786-775	11002950

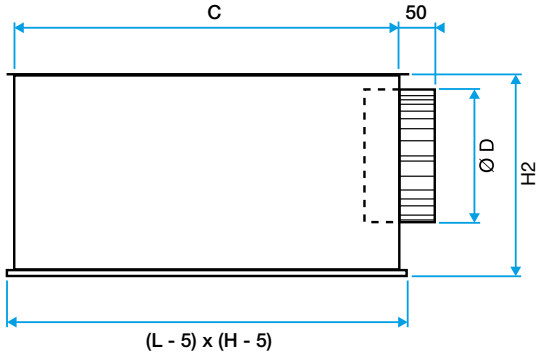
Swirl jet diffuser

11051133

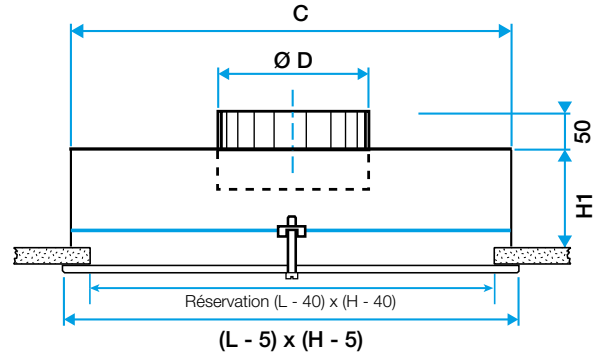
SF 786 F7 600x600 RAL9003-30%

Dimensional data

References	C (mm)	H1 (mm)	H2 (mm)	L x H (mm)	Ø D (mm)
11051133	560	200	340	600X600	250



Diffuseur SF 786 avec plénum RE - Fixation F0 - Montage en dalles de plafonds suspendus



Diffuseur SF 786 avec plénum RT

Airflow data

References	Comfort airflow < 35 dB(A) (m³/h)
11051133	550