

**Ceiling diffuser****11051548**  
**SF704 F0 150X150**

The SF 704 is a steel square ceiling diffuser with 4 air diffusion directions, for use in commercial buildings.



SF704 F0 150X150

**PRODUCT BENEFITS**

- filter for return (optional),
- filter accessed by simply and quickly removing the central core,
- for 600 x 600 suspended ceiling tiles.

**Principles of operation**

The SF 704 diffuser is installed on the ceiling using visible or concealed attachments. The steel square diffuser offers 4 air diffusion directions.

**Product description**

The SF 704 is a steel square ceiling diffuser with 4 diffusion directions for ventilation or air-conditioning systems in commercial buildings. This diffuser is made of steel with epoxy coating RAL 9010 white 30% gloss. It is installed flush with the ceiling. Available in dimensions from 150x150 mm to 600x600 mm.

**Fields of application**

Non-residential buildings

**Installation**

The SF 704 diffuser is installed flush with the ceiling using visible or concealed attachments in the frame. A concealed screw and suspension bridge attachment system is also available and preferred for installation on fixed ceilings.

**Reference arguments**

• SF 704 fixed square 4-way diffuser for air supply and return. • 150x150 mm. • Removable core. • Steel with epoxy paint finish, RAL 9003 white 30% matt. • Concealed screw attachment to neck. • Accessories: galvanised steel plenums with side connection (RE) or top connection (RT), damper (B700) and G3 pleated filter with M1 fire rating (ISO coarse 60%).

**Main characteristics**

- square ceiling diffuser,
- multi-direction horizontal air diffusion,
- 4 diffusion directions,
- profiled steel plate outer frame and core,
- removable, exchangeable core,
- frame width 32 mm,
- epoxy coating RAL 9010 white 30% gloss,
- installed flush with ceiling,
- available in dimensions from 150x150 mm to 600x600 mm.

## Ceiling diffuser

# 11051548

## SF704 F0 150X150

### Supplementary characteristics

- accessories:
  - B 700: counter-rotary damper, adjustable from front of diffuser,
  - W4 G3 pleated filter M1 fire certification for use on extraction,
  - galvanised steel connection plenum with RT or RE branch connection.

### Accessories

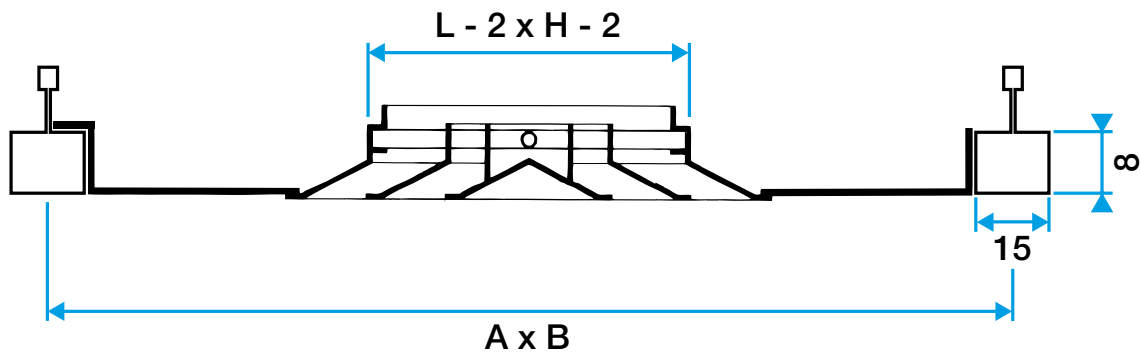
Désignations	References
RT plenum F0 150X150 D125	11053580
RE plenum F0 150X150 D125	11053610
DAMPER B700 150X150	11051321
Bare W4 G3 filter (replacement)	11053370
RE square plenum 150x150 D125 PC cfg	11053384
RT square plenum 150x150 D125 PA cfg	11053522

### Consumables

Désignations	References
Filter cartridge (G3 filter included) CW4 for plenum RT and RE 150x150 mm	11053431

### Dimensional data

References	A (mm)	B (mm)	L x H (mm)	N (mm)	P (mm)	P1 (mm)	Ø D (mm)
11051548	214	274	150X150	148	235	115	125



Diffuseur SF 704

### Airflow data

References	Comfort airflow for Lw 40 dB(A) (extract with filter) (m³/h)	Comfort airflow for Lw 40 dB(A) (air supply) (m³/h)
11051548	130	180