

**Ceiling diffuser****11051550**  
**SF704 F0 300X300**

The SF 704 is a steel square ceiling diffuser with 4 air diffusion directions, for use in commercial buildings.



SF704 F0 300X300

**PRODUCT BENEFITS**

- filter for return (optional),
- filter accessed by simply and quickly removing the central core,
- for 600 x 600 suspended ceiling tiles.

**Principles of operation**

The SF 704 diffuser is installed on the ceiling using visible or concealed attachments. The steel square diffuser offers 4 air diffusion directions.

**Product description**

The SF 704 is a steel square ceiling diffuser with 4 diffusion directions for ventilation or air-conditioning systems in commercial buildings. This diffuser is made of steel with epoxy coating RAL 9010 white 30% gloss. It is installed flush with the ceiling. Available in dimensions from 150x150 mm to 600x600 mm.

**Fields of application**

Non-residential buildings

**Installation**

The SF 704 diffuser is installed flush with the ceiling using visible or concealed attachments in the frame. A concealed screw and suspension bridge attachment system is also available and preferred for installation on fixed ceilings.

**Reference arguments**

- External frame and core made of assembled extruded aluminium profiles or formed steel plate.
- Spring system enabling removable core for access to interior.
- AF 704: anodised aluminium with natural satin finish or RAL 9010 white epoxy paint.
- SF 704: steel with epoxy paint finish RAL 9010 white.
- Concealed attachment to plenum using side screws in the neck.
- The plenum is fitted with brackets for attachment to a concrete slab.

**Main characteristics**

- square ceiling diffuser,
- multi-direction horizontal air diffusion,
- 4 diffusion directions,
- profiled steel plate outer frame and core,
- removable, exchangeable core,
- frame width 32 mm,
- epoxy coating RAL 9010 white 30% gloss,
- installed flush with ceiling,
- available in dimensions from 150x150 mm to 600x600 mm.

## Ceiling diffuser

# 11051550

## SF704 F0 300X300

### Supplementary characteristics

- accessories:
  - B 700: counter-rotary damper, adjustable from front of diffuser,
  - W4 G3 pleated filter M1 fire certification for use on extraction,
  - galvanised steel connection plenum with RT or RE branch connection.

### Accessories

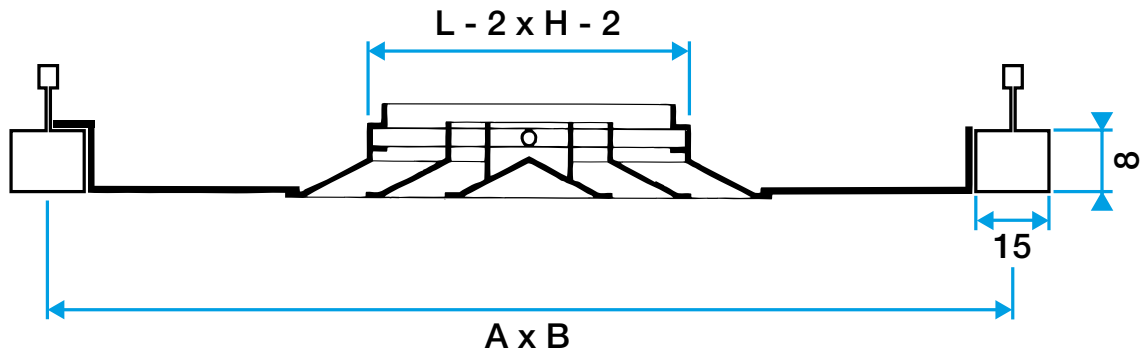
Désignations	References
RT plenum F0 300X300 D250	11053585
REIF plenum (5) F0 300X300 D250	11053595
RE plenum F0 300X300 D250	11053615
DAMPER B700 300X300	11051323
Bare W4 G3 filter (replacement)	11053370
RE square plenum 300x300 D250 PC cfg	11053388
RE square plenum 300x300 D160 PC cfg	11053386
RE square plenum 300x300 D200 PC cfg	11053387
RT square plenum 300x300 D160 PA cfg	11053524
RT square plenum 300x300 D200 PA cfg	11053525
RT square plenum 300x300 D250 PA cfg	11053526
RE Plenum 300x300 D160 PC Insulated 5 sides cfg	11053397
RE Plenum 300x300 D200 PC Insulated 5 sides cfg	11053398
RE Plenum 300x300 D250 PC Insulated 5 sides cfg	11053399

### Consumables

Désignations	References
Filter cartridge (G3 filter included) CW4 for plenum RT and RE 300x300 mm	11053433

### Dimensional data

References	A (mm)	B (mm)	L x H (mm)	N (mm)	P (mm)	P1 (mm)	Ø D (mm)
11051550	364	424	300X300	298	360	165	250



Diffuseur SF 704

### Airflow data

References	Comfort airflow for Lw 40 dB(A) (extract with filter) (m³/h)	Comfort airflow for Lw 40 dB(A) (air supply) (m³/h)
11051550	350	500