

Collective static heat exchanger**11051086**
SF704R TP F16 D160 White AxB600x600

The SF 704 R TP is a square ceiling diffuser with 4 air diffusion directions and a built-in plenum for use in commercial buildings.

**PRODUCT BENEFITS**

- intended for 600x600 mm suspended ceiling tiles,
- circular connection,
- easy to install.

Principles of operation

The SF 704 R TP diffuser is installed in a ceiling in place of a standard or 675 x 675 mm ceiling tile. This steel square diffuser offers 4 air diffusion directions and has a built-in plenum.

Product description

The SF 704 R TP is a square ceiling diffuser with 4 diffusion directions for ventilation or air-conditioning systems in commercial buildings. It features a built-in plenum made of galvanised steel. This diffuser is made of steel with epoxy coating RAL 9010 white 30% gloss. It is installed flush with the ceiling in place of a standard 600 x 600 mm ceiling tile. It is suitable for "T-bar" suspended ceiling frames. .

Fields of application

Non-residential buildings

Installation

The SF 704 R TP diffuser is installed in place of a standard 600 x 600 mm ceiling tile.

Reference arguments

- Outer frame and connection plenum made of pressed steel sheet (included).
- Core made of shaped steel sheet.
- Circular ring for direct connection to duct.
- RAL 9010 epoxy paint finish.
- Concealed attachment using F16 brackets on diffuser. Note: the weight of the diffuser must not be borne by the suspended ceiling framework. Use the suspension cables on page xxx.
- Heat-insulated version to avoid any risk of condensation in air conditioning applications.

Main characteristics

- square ceiling diffuser,
- multi-direction horizontal airflow
- 4 diffusion directions,
- connection plenum built into diffuser,
- profiled steel plate outer frame and core,
- removable, exchangeable core,
- frame width 27 mm,
- epoxy coating RAL 9010 white 30% gloss,
- installed flush with ceiling in place of a standard 600 x 600 mm ceiling tile,
- suitable for "T-bar" suspended ceiling frames.

Collective static heat exchanger

11051086

SF704R TP F16 D160 White AxB600x600

Supplementary characteristics

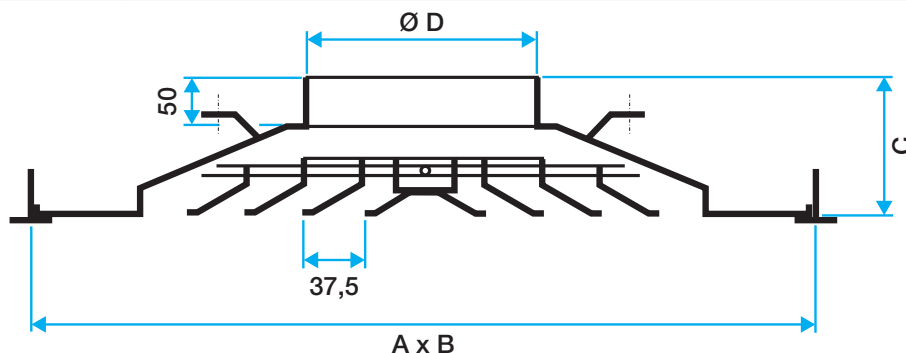
- accessories:
- BR: butterfly type damper with 2 or 4 V-shape vanes according to the diameter,
- external thermal insulation on diffuser.

Accessories

Description	Variants
BR CIRCULAR DAMPER D160	11053220
Bare W4 G3 filter (replacement)	11053370

Dimensional data

Variants	A x B* (mm)	C (mm)	F (mm)	Ø D (mm)	Dimensions A x B (mm)
11051086	600X600	98	55	160	600X600



Airflow data

Variants	Comfort airflow < 35 dB(A) (m³/h)
11051086	300