

**Ceiling diffuser****11051076**  
**SF704TP F0 150X150 (AxB=600x600)**

The SF 704 TP is a square ceiling diffuser for ceiling tiles with 4 air diffusion directions, for use in commercial buildings.



SF704TP F0 150X150 (AxB=600x600)

**PRODUCT BENEFITS**

- filter for return (optional),
- filter accessed by simply and quickly removing the central core,
- for 600 x 600 suspended ceiling tiles.

**Principles of operation**

The SF 704 TP diffuser is installed in a ceiling in place of a standard 600 x 600 mm or 675 x 675 mm ceiling tile. This steel square diffuser offers 4 air diffusion directions.

**Product description**

The SF 704 TP is a square ceiling diffuser with 4 diffusion directions for ventilation or air-conditioning systems in commercial buildings. This diffuser is made of steel with epoxy coating RAL 9010 white 30% gloss. It is installed flush with the ceiling in place of a standard 600 x 600 mm or 675 x 675 mm ceiling tile. It is suitable for "T-bar" or "Fine Line" suspended ceiling frames .

**Fields of application**

Non-residential buildings

**Installation**

The SF 704 TP diffuser is installed in place of a standard 600 x 600 mm or 675 x 675 mm ceiling tile.

**Reference arguments**

- SF 704 TP fixed square 4-way diffuser replacing ceiling panel for air supply and return.
- Diffuser dimensions 150x150 mm.
- Replaces a 600x600 suspended ceiling panel with T-bar frame system.
- Steel with epoxy paint finish, RAL 9003 white 30% matt.
- Concealed screw attachment to neck.
- Accessories: galvanized steel plenums with side connection (RE) or top connection (RT), damper (B700) and G3 pleated filter with M1 fire rating (ISO coarse 60%).

**Main characteristics**

- square ceiling diffuser,
- multi-direction horizontal air diffusion,
- 4 diffusion directions,
- profiled steel plate outer frame and core,
- removable, exchangeable core,
- frame width 32 mm,
- epoxy coating RAL 9010 white 30% gloss,
- installed flush with ceiling in place of a standard 600 x 600 mm or 675 x 675 mm ceiling tile,
- suitable for "T-bar" or "Fine Line" suspended ceiling frames.

**Ceiling diffuser**

**11051076**

SF704TP F0 150X150 (AxB=600x600)

**Supplementary characteristics**

- accessories:
  - B 700: counter-rotary damper, adjustable from front of diffuser,
  - W4 G3 pleated filter M1 fire certification for use on extraction,
  - galvanised steel connection plenum with RT or RE branch connection.

**Accessories**

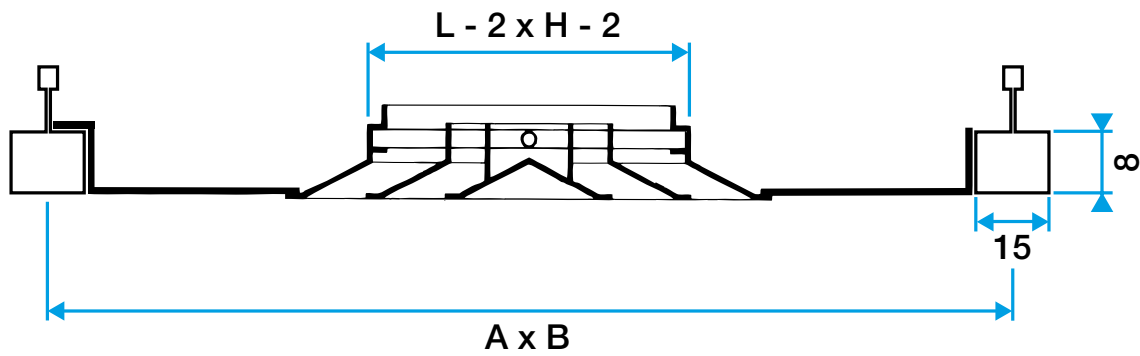
| Désignations                         | References |
|--------------------------------------|------------|
| RE plenum F0 150X150 D125            | 11053610   |
| DAMPER B700 150X150                  | 11051321   |
| Bare W4 G3 filter (replacement)      | 11053370   |
| RE square plenum 150x150 D125 PC cfg | 11053384   |

**Consumables**

| Désignations  | References |
|---|------------|
| Filter cartridge (G3 filter included) CW4 for plenum RT and RE 150x150 mm | 11053431   |

**Dimensional data**

| References | A x B* (mm) | L x H (mm) | P (mm) | P1 (mm) | Ø D (mm) | Dimensions A x B (mm) |
|------------|-------------|------------|--------|---------|----------|-----------------------|
| 11051076   | 600X600     | 150X150    | 235    | 115     | 125      | 600X600               |



Diffuseur SF 704 TP

**Airflow data**

| References | Comfort airflow for Lw 40 dB(A) (extract with filter) (m³/h) | Comfort airflow for Lw 40 dB(A) (air supply) (m³/h) |
|------------|--|---|
| 11051076   | 130  | 180   |