

Ceiling diffuser**11051079**
SF704TP F0 375X375 (AxB=600x600)

The SF 704 TP is a square ceiling diffuser for ceiling tiles with 4 air diffusion directions, for use in commercial buildings.



SF704TP F0 375X375 (AxB=600x600)

PRODUCT BENEFITS

- filter for return (optional),
- filter accessed by simply and quickly removing the central core,
- for 600 x 600 suspended ceiling tiles.

Principles of operation

The SF 704 TP diffuser is installed in a ceiling in place of a standard 600 x 600 mm or 675 x 675 mm ceiling tile. This steel square diffuser offers 4 air diffusion directions.

Product description

The SF 704 TP is a square ceiling diffuser with 4 diffusion directions for ventilation or air-conditioning systems in commercial buildings. This diffuser is made of steel with epoxy coating RAL 9010 white 30% gloss. It is installed flush with the ceiling in place of a standard 600 x 600 mm or 675 x 675 mm ceiling tile. It is suitable for "T-bar" or "Fine Line" suspended ceiling frames .

Fields of application

Non-residential buildings

Installation

The SF 704 TP diffuser is installed in place of a standard 600 x 600 mm or 675 x 675 mm ceiling tile.

Reference arguments

- Outer frame and core made of assembled, extruded aluminium profiles (AN type) or shaped steel sheet (SF type).
- Designed using a standard type 704 diffuser built into a steel or aluminium plate.
- RAL 9010 epoxy paint finish.
- Concealed attachment using a screw on the neck of the diffuser. The plenum is equipped with lugs for attachment to a concrete ceiling. Note: the weight of the diffuser must not be borne by the suspended ceiling framework. Use the suspension cables on page xxx.

Main characteristics

- square ceiling diffuser,
- multi-direction horizontal air diffusion,
- 4 diffusion directions,
- profiled steel plate outer frame and core,
- removable, exchangeable core,
- frame width 32 mm,
- epoxy coating RAL 9010 white 30% gloss,
- installed flush with ceiling in place of a standard 600 x 600 mm or 675 x 675 mm ceiling tile,
- suitable for "T-bar" or "Fine Line" suspended ceiling frames.

Ceiling diffuser

11051079

SF704TP F0 375X375 (AxB=600x600)

Supplementary characteristics

- accessories:
 - B 700: counter-rotary damper, adjustable from front of diffuser,
 - W4 G3 pleated filter M1 fire certification for use on extraction,
 - galvanised steel connection plenum with RT or RE branch connection.

Accessories

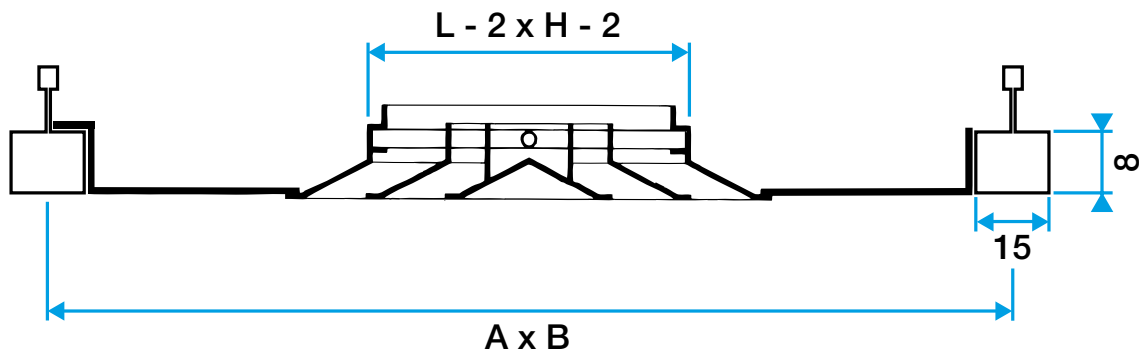
Désignations	References
REIF plenum (5) F0 375X375 D315	11053596
RE plenum F0 375X375 D315	11053618
DAMPER B700 375X375	11051324
Bare W4 G3 filter (replacement)	11053370
RE square plenum 375x375 D315 PC cfg	11053389
RE Plenum 375x375 D315 PC Insulated 5 sides cfg	11053400

Consumables

Désignations	References
Filter cartridge (G3 filter included) CW4 for plenum RT and RE 375x375 mm	11053434
Bare W4 G3 filter (replacement) 375x375	11053374

Dimensional data

References	A x B* (mm)	L x H (mm)	P (mm)	P1 (mm)	Ø D (mm)	Dimensions A x B (mm)
11051079	600X600	375X375	425	115	315	600X600



Diffuseur SF 704 TP

Airflow data

References	Comfort airflow for Lw 40 dB(A) (extract with filter) (m³/h)	Comfort airflow for Lw 40 dB(A) (air supply) (m³/h)
11051079	440	650