

**Core terminal****11052277**  
**SR 135 D100 S/E ACOUS RAL9003**

The SR 135 decorative adjustable core terminal can be used for air diffusion or extraction with a low noise level.



SR 135 D100 RAL9003

**PRODUCT BENEFITS**

- aesthetic,
- low noise level,
- adjustable airflow.

**Principles of operation**

The SR 135 terminal is fitted with an adjustable core to calibrate the airflow on site. The central core also includes soundproofing to ensure low noise levels in the room.

**Product description**

The SR 135 terminal offers a discreet aesthetic for easy integration in a wall or ceiling. Its soundproofed core is also very discreet in terms of noise. The adjustable core can be moved to set the airflow.

**Fields of application**

New, Refurbishment, Non-residential buildings

**Installation**

- wall or ceiling installation,
- attached directly in duct using friction springs supplied or using a connection sleeve.

**Main characteristics**

- steel with RAL 9003 epoxy coating 30% gloss,
- adjustable airflow due to adjustable core with counter-nut,
- soundproofing on core.

**Accessories**

Désignations	References
Plasterboard sleeve L100 for SR 135	11053971

**General data**

References	Type of finish	Colour
11052277	Epoxy paint	Lagoon blue

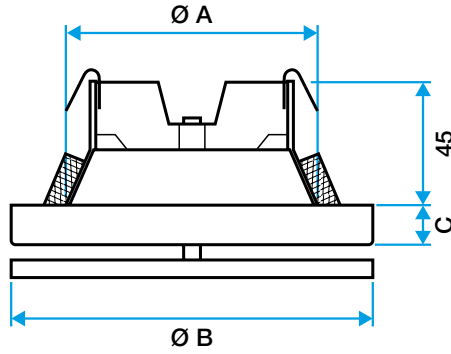
### Core terminal

# 11052277

## SR 135 D100 S/E ACOUS RAL9003

### Dimensional data

References	C (mm)	Ø (mm)	Ø A (mm)	Ø B (mm)
11052277	15	100	100	135



Bouche SR 135

### Airflow data

References	Comfort airflow for $L_w < NR 25$ ( $m^3/h$ )
11052277	80