

Core terminal**11052278**
SR 135 D125 S/E ACOUS RAL9003

The SR 135 decorative adjustable core terminal can be used for air diffusion or extraction with a low noise level.



SR 135 D125 RAL9003

PRODUCT BENEFITS

- aesthetic,
- low noise level,
- adjustable airflow.

Principles of operation

The SR 135 terminal is fitted with an adjustable core to calibrate the airflow on site. The central core also includes soundproofing to ensure low noise levels in the room.

Product description

The SR 135 terminal offers a discreet aesthetic for easy integration in a wall or ceiling. Its soundproofed core is also very discreet in terms of noise. The adjustable core can be moved to set the airflow.

Fields of application

New, Refurbishment, Non-residential buildings

Installation

- wall or ceiling installation,
- attached directly in duct using friction springs supplied or using a connection sleeve.

Main characteristics

- steel with RAL 9003 epoxy coating 30% gloss,
- adjustable airflow due to adjustable core with counter-nut,
- soundproofing on core.

Accessories

Désignations	References
Plasterboard sleeve L 100	11053972

General data

References	Type of finish	Colour
11052278	Epoxy paint	Lagoon blue

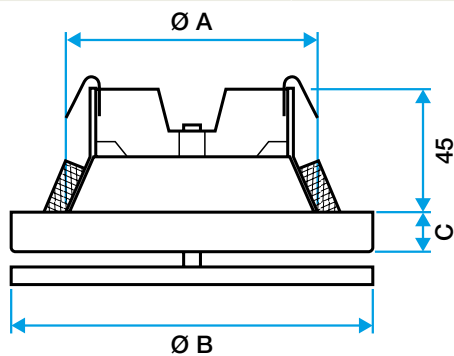
Core terminal

11052278

SR 135 D125 S/E ACOUS RAL9003

Dimensional data

References	C (mm)	Ø (mm)	Ø A (mm)	Ø B (mm)
11052278	15	125	125	160



Bouche SR 135

Airflow data

References	Comfort airflow for Lw < NR 25 (m³/h)
11052278	150