

**Core terminal****11052280**  
**SR 135 D200 S/E ACOUS RAL9003**

The SR 135 decorative adjustable core terminal can be used for air diffusion or extraction with a low noise level.



SR 135 D200 RAL9003

**PRODUCT BENEFITS**

- aesthetic,
- low noise level,
- adjustable airflow.

**Principles of operation**

The SR 135 terminal is fitted with an adjustable core to calibrate the airflow on site. The central core also includes soundproofing to ensure low noise levels in the room.

**Product description**

The SR 135 terminal offers a discreet aesthetic for easy integration in a wall or ceiling. Its soundproofed core is also very discreet in terms of noise. The adjustable core can be moved to set the airflow.

**Fields of application**

New, Refurbishment, Non-residential buildings

**Installation**

- wall or ceiling installation,
- attached directly in duct using friction springs supplied or using a connection sleeve.

**Main characteristics**

- steel with RAL 9003 epoxy coating 30% gloss,
- adjustable airflow due to adjustable core with counter-nut,
- soundproofing on core.

**Accessories**

| Désignations                        | References |
|-------------------------------------|------------|
| Plasterboard sleeve L100 for SR 135 | 11053974   |

**General data**

| References | Type of finish | Colour      |
|------------|----------------|-------------|
| 11052280   | Epoxy paint    | Lagoon blue |

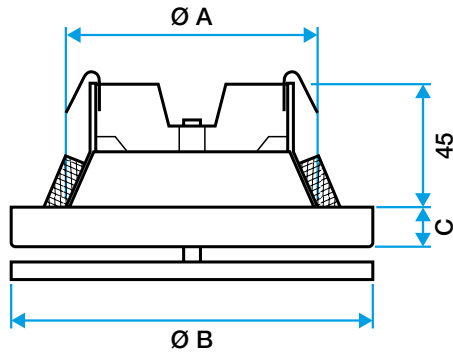
## Core terminal

# 11052280

SR 135 D200 S/E ACOUS RAL9003

## Dimensional data

| References | C (mm) | Ø (mm) | Ø A (mm) | Ø B (mm) |
|------------|--------|--------|----------|----------|
| 11052280   | 18     | 200    | 200      | 238      |



Bouche SR 135

## Airflow data

| References | Comfort airflow for Lw < NR 25 (m³/h) |
|------------|---------------------------------------|
| 11052280   | 300                                   |