

## Core terminal

# 11052225

## SR 143 D80

The SR 143 steel core terminal with on-site adjustable airflow is used for air return.



SR 143 D80

## PRODUCT BENEFITS

- adjustable airflow,
- wall connection sleeve supplied.

## Principles of operation

The SR 143 terminal is fitted with an adjustable core to calibrate the airflow on site.

## Product description

The SR 143 terminal has an adjustable core, which makes it possible to adjust the return airflow in the room.

## Fields of application

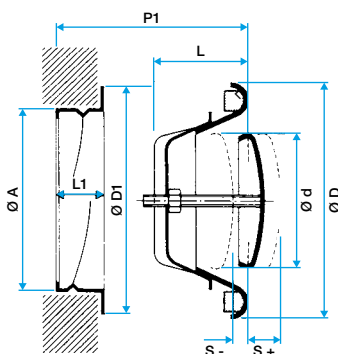
New, Refurbishment, Non-residential buildings

## Installation

- wall or ceiling installation,
- attached directly in duct using a connection sleeve.

## Main characteristics

- Steel with white epoxy paint finish, RAL 9003 30% matt,
- adjustable airflow due to adjustable core with counter-nut,
- outer ring fitted with airtight seal,
- wall connection sleeve supplied,
- wall or ceiling installation



Bouche SR 143 avec manchette