

Counterflow heat exchanger**11051108****SR861 F0 D250 (c25) RAL9010-85%**

The SR 861 is a fixed high-induction swirl jet diffuser for air diffusion in commercial buildings.

**PRODUCT BENEFITS**

- ideal for cooling,
- excellent mixing rate.

Principles of operation

The SR 861 diffuser can be installed in any type of ceiling. It offers fixed swirl jet diffusion ideal for air conditioning systems handling large temperature differences and low-ceiling rooms.

Product description

The SR 861 is a high-induction swirl jet diffuser for air diffusion in ventilation or air conditioning systems in commercial buildings. It offers a high mixing capacity for fast homogenisation of temperatures. It is ideal for air conditioning systems handling large temperature differences and low-ceiling rooms. It is made of steel with an epoxy coating RAL 9010 white 85% finish. Available in diameters from 125 to 315 mm.

Fields of application

Non-residential buildings

Installation

The SR 861 diffuser is installed in a suspended ceiling using a concealed screw attachment on the sides of the diffuser or on a plaster / BA13 ceiling using a visible attachment with the centre screw and a bridge. The system must be attached to the concrete slab using the tabs on the plenum.

Reference arguments

- Steel body and diffusion vanes.
- Steel finish, epoxy paint RAL 9010 white.
- Concealed attachment using a screw on the neck of the diffuser.

Main characteristics

- fixed swirl jet ceiling diffuser,
- high mixing capacity for fast homogenisation of temperatures,
- ideal for air conditioning systems with large temperature differences and low ceilings,
- steel body and vanes,
- circular diffuser with circular connection,
- epoxy coating RAL 9010 white 85%,
- attachment:
 - concealed screw attachment in diffuser neck,
 - visible central screw and bridge.

Counterflow heat exchanger

11051108

SR861 F0 D250 (c25) RAL9010-85%

Supplementary characteristics

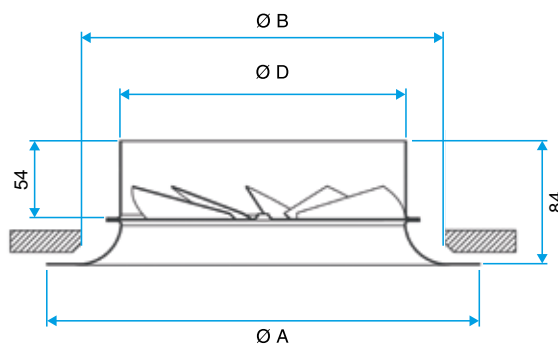
- accessories:
 - BR: butterfly type damper with 2 V-shaped vanes,
 - LRE connection plenum with side branch connection.
- optional flow splitter,
- available in standard version or insulated on 2/5 sides.

Accessories

Description	Variants
PLENUM LRE842/883 F0 D250/250	11053313
BR CIRCULAR DAMPER D250	11053222
LRE Plenum diff circular F0 D250 PC cfg	11053348
Distribution box LRE with side connection	11053368

Dimensional data

Variants	P (mm)	Ø A (mm)	Ø B (mm)	Ø D (mm)	Ø plenum connection (mm)
11051108	250	350	320	250	250



Airflow data

Variants	Comfort airflow < 35 dB(A) (m³/h)
11051108	280