

Airflow control system

11017090
Sens CO2 sensor

The Sens CO2 sensor measures the level of CO2 precisely, to adapt the airflow to optimise indoor air quality and energy consumption



Sens CO2 sensor

PRODUCT BENEFITS

- especially suited to large-volume rooms,
- compatible with all products with 0-10V input (VAV damper, fans, etc.).

REGLEMENTATIONS AND COMPLIANCES

Technical Opinion no.: 14.5/16-2185_V1

Principles of operation

The Sens CO2 sensor sends a 0-10V signal proportional to the CO2 level to directly control the fan speed controller (AHU or box fan) or to adapt the opening of a VAV type motorised damper.

Product description

The Sens CO2 sensor measures CO2 levels and ambient temperature in a room. The concentration of CO2 is measured by absorption of infra red light. This CO2 measurement is not affected by dust or water vapour.

Fields of application

Multi-occupancy residential housing, New, Refurbishment, Non-residential buildings

Installation

- installed on wall in room covered,
- installation height on wall: from 1.5 to 3.5 m,
- avoid air currents (doors, air supply, etc.) and dead zones (shelves, curtains, etc.),
- avoid proximity of heat sources and occupants (radius of 1 to 2 m from a workstation).

Reference arguments

- Detects CO2 levels in a space to adapt ventilation airflow to occupancy. This ensures good air quality while reducing energy consumption if the space is unoccupied.
- Measurement range: 0-2000 ppm
- Also measures ambient temperature between 0 and 50 °C
- 0-10 V output signal
- 24V power supply (230V transformer available as accessory)
- Response time < 9 min
- Wall-mounted at 1.5 to 3.5 m from floor
- Under Technical Approval for Controlled Ventilation in Non-Residential Buildings no. 145/16-2185_V1
- CEE-eligible: no. BAT-TH-125 and 126

Main characteristics

- CO2 sensor measurement range: 0 to 2000 ppm,
- temperature measurement range: 0 to 50°C,
- output signal: 0-10V,
- power supply: 24 V.

Accessories

Désignations	References
230 V/24 V power supply for Sens CO2 sensor	11017180

General data

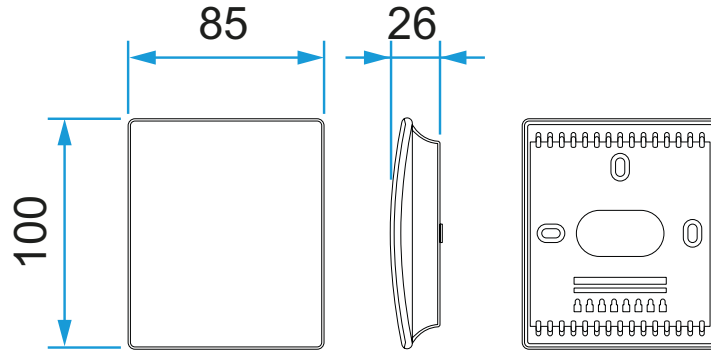
References	Sensor consumption (W)	Measuring range (ppm)	Response time (min)	Self-calibration
11017090	< 2.5	0-2000	< 9	Yes

Airflow control system

11017090 Sens CO2 sensor

Dimensional data

References	Height (mm)	Width (mm)	Weight (kg)	Depth (mm)
11017090	100	85	0,147	26



Dimensions Sens CO2 sensor

Electrical datas

References	Output signal	Voltage (V)
11017090	0-10V	24

Installation visual 1

