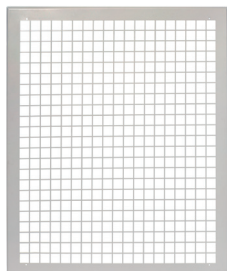


Roof duct**11044409**

Steel GFA grille for OPTONE® T-1f/2f

**Product description**

The steel GFA grille was designed to be directly surface-mounted on OPTONE «Classic» 1-flap/2-flap dampers. The grille fully covers the damper. It protects and decorates the smoke control damper. RAL 9003 white finish as standard.

Fields of application

New, Refurbishment, Non-residential buildings

Installation

- surface-mounted on OPTONE "Classic" damper,
- 4 captive screws + end piece supplied.

Roof duct

11044409

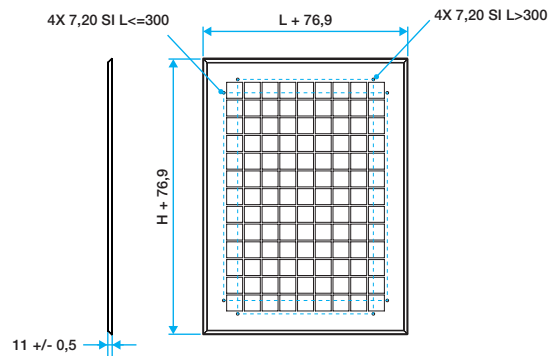
Steel GFA grille for OPTONE® T-1f/2f

Main characteristics

- complies with damper classification reports,
- 1.5 mm thick steel,
- no sharp angles: inclined contour,
- free air passage: 95 % (50 mm pitch),
- 45x45 mm mesh,
- ideal for environments requiring optimal security: prisons, psychiatric hospitals, boarding schools,
- L*H of the grille = nominal L*H of damper:
 - $300 \leq L \leq 1000$ (5 mm increments),
 - $300 \leq H \leq 1200$ (5 mm increments),
 - other sizes: contact us,
- finish:
 - RAL 9003 as standard or choice of RAL,
 - ALDES ARCHITECT finish: metallic paint finish or patterned (wood, stone, etc.).

Options

RAL1
RAL2
RAL4



Installation



Vis inviolable



Embout pour visser les vis inviolables