

## Connector

# 11093107

## TE GALVA T-PIECE - D125/125

The TE 90° T-piece is used to connect two ductwork branches at an angle of 90°.



Té Equerre 90°

### Product description

The TE 90° T-piece is used to connect two ductwork branches at an angle of 90°. It ensures leak-free installation without excessive pressure losses on the branch connection.

### Fields of application

Multi-occupancy residential housing, New, Refurbishment, Non-residential buildings

### Installation

- easy assembly of interlocking accessories: ducts are female, accessories are male,
- Final seal requires sealant and/or perforated strip,
- attached to duct using self-tapping screws (4 to 6 depending on diameter).

### Reference arguments

Application:

- Connects two ducting branches at an angle of 90° on non-residential and multi-occupancy residential systems.

Description:

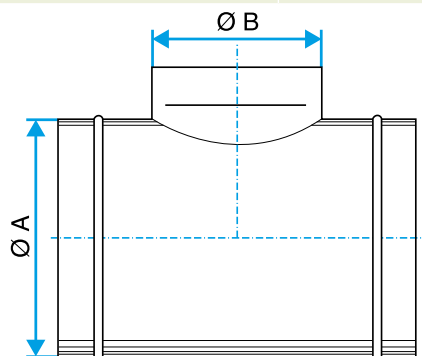
- T-piece galvanised steel diameter 125/125 mm.

### Main characteristics

- available in diameters from 80 to 900,
- galvanised steel as per EN 10346 ensuring uniformity of coating,
- M0 fire certification.

### Dimensional data

References	Ø A (mm)	Ø B (mm)
11093107	125	125



Dimensional drawing 90° T-piece

### Regulatory data

References	Fire protection rating
11093107	M0

Connector

11093107

TE GALVA T-PIECE - D125/125