

## Connector

# 11093298

## TO GALVA ANGLE T-PIECE D450/315

The TE 45° T-piece is used to connect two ductwork branches at an angle of 45°.



Té Oblique 45°

### Product description

The TE 45° T-piece is used to connect two ductwork branches at an angle of 45°. Use a TO instead of a TE for an air supply duct. It ensures leak-free installation without excessive pressure losses on the branch connection.

### Fields of application

Multi-occupancy residential housing, New, Refurbishment, Non-residential buildings

### Installation

- easy assembly of interlocking accessories: ducts are female, accessories are male,
- Final seal requires sealant and/or perforated strip,
- attached to duct using self-tapping screws (4 to 6 depending on diameter).

### Reference arguments

Application:

- Connects two ducting branches at an angle of 45° on non-residential and multi-occupancy residential systems
- Especially efficient for air supply compared to a 90° T-piece

Description:

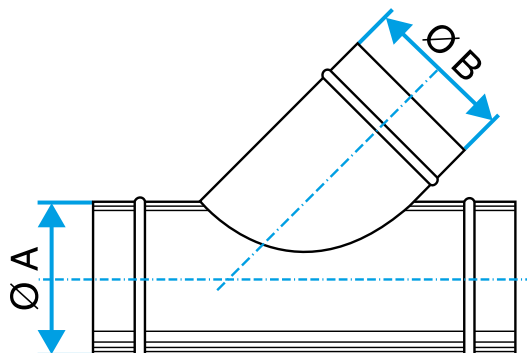
- Angled T-piece galvanised steel diameter 450/315 mm

### Main characteristics

- available in diameters from 80 to 900,
- galvanised steel as per EN 10346 ensuring uniformity of coating,
- MO fire certification.

### Dimensional data

References	Ø A (mm)	Ø B (mm)
11093298	450	315



Dimensional drawing 45° Branch piece

Connector

11093298

TO GALVA ANGLE T-PIECE D450/315

Regulatory data

References	Fire protection rating
11093298	M0