

**Connector**

## 11093251 TO GALVA ANGLE T-PIECE D500/400

The TE 45° T-piece is used to connect two ductwork branches at an angle of 45°.



Té Oblique 45°

**Product description**

The TE 45° T-piece is used to connect two ductwork branches at an angle of 45°. Use a TO instead of a TE for an air supply duct. It ensures leak-free installation without excessive pressure losses on the branch connection.

**Fields of application**

Multi-occupancy residential housing, New, Refurbishment, Non-residential buildings

**Installation**

- easy assembly of interlocking accessories: ducts are female, accessories are male,
- Final seal requires sealant and/or perforated strip,
- attached to duct using self-tapping screws (4 to 6 depending on diameter).

**Reference arguments**

Application:

- Connects two ducting branches at an angle of 45° on non-residential and multi-occupancy residential systems
- Especially efficient for air supply compared to a 90° T-piece

Description:

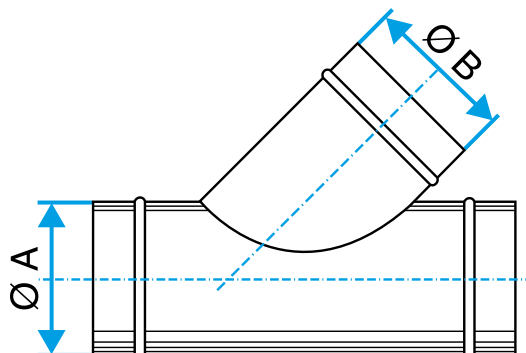
- Angled T-piece galvanised steel diameter 500/400 mm

**Main characteristics**

- available in diameters from 80 to 900,
- galvanised steel as per EN 10346 ensuring uniformity of coating,
- MO fire certification.

**Dimensional data**

References	Ø A (mm)	Ø B (mm)
11093251	500	400



Dimensional drawing 45° Branch piece

Connector

# 11093251

TO GALVA ANGLE T-PIECE D500/400

Regulatory data

References	Fire protection rating
11093251	M0