

Swirl jet diffuser**11003374****TWISTED® 850 Circular (PLASTER)**

The TWISTED® 850 is a high-induction swirl jet diffuser for air diffusion in non-residential buildings.



TWISTED 850 D200 STAFF

TWISTED 850 D200 STAFF

PRODUCT BENEFITS

- ideal for variable-airflow systems,
- excellent mixing rate: exclusive Aldes patent,
- compatible with AldesArchitect® range.

Principles of operation

The TWISTED® 850 circular is installed on fixed plaster or plasterboard ceilings and on visible ducting. One diffuser offers high-induction fixed diffusion with a swirl air jet across a wide range of airflow settings.

Product description

The TWISTED® 850 is a high-induction swirl jet diffuser for air diffusion in ventilation or air conditioning systems in non-residential buildings, offering a high mixing rate. It is ideal for air supply with high temperature differences and low ceiling heights, and for variable airflow systems (e.g. ducted convector fans). The Circular version is designed for installation on fixed plaster/plasterboard ceilings and on visible ducting. It also comes in an insulated version and a return version with or without filter. It is available in a standard epoxy paint finish RAL 9003 matt 30% gloss or from the RAL colour chart. The AldesArchitect® finish range is available for this diffuser.

Fields of application

Non-residential buildings

Installation

The TWISTED® 850 diffuser is installed on the ceiling. It is attached to the ceiling slab using tabs on the plenum.

Reference arguments

- Twisted® high induction circular diffuser with swirl air jet,
- high-induction air diffusion using air jet rotation inside the plenum. By maintaining a sufficient discharge speed, the diffusion cone ensures a perfect Coanda effect (ceiling effect) and a helical air jet. This swirl air jet will cause the ambient air to move, thereby mixing it with the air supply to ensure homogeneous temperatures in occupied areas,
- ideal for cold and hot supply air (air conditioning) with high T° differences under low ceiling heights,
- ideal for variable-airflow systems (ducted convector fans),
- easy to install on plaster / BA13 plasterboard ceiling using an optional F7 bridge to adjust the diffuser on the plenum and the ceiling,
- wide range of airflow settings: 150 to 600 m³/h,
- RAL 9003 white 30% or any other colour of architect's choice,
- connection D200 or D250 (on return only),
- dimensions: diam. 555 mm,
- plenum included with acoustic or thermal-acoustic insulation option.

Swirl jet diffuser

11003374

TWISTED® 850 Circular (PLASTER)

Main characteristics

- high induction diffusion with swirl air jet,
- system offers high mixing rate,
- ideal for cold and hot supply air with high T° differences under low ceiling heights,
- ideal for variable-airflow systems,
- circular version suitable for fixed plaster or plasterboard ceilings, and for visible ducting,
- painted steel diffuser cone and central disc,
- cylindrical galvanised steel plenum for direct attachment to circular duct Ø 200 supplied as standard,
- finish:
 - epoxy coating RAL 9010 white matt 30%,
 - AldesArchitect®.
- attachment to concrete ceiling using the bracket on the plenum.

Supplementary characteristics

- accessories:
 - G2 elliptical flat filter (ISO coarse 40%) supplied with return diffuser,
- option:
 - sound-proofing,
 - thermal insulation
 - bridge system F7 attachment
 - plenum finish in RAL 9005 matt 30% (not compatible with thermal insulation),
 - protective film

Consumables

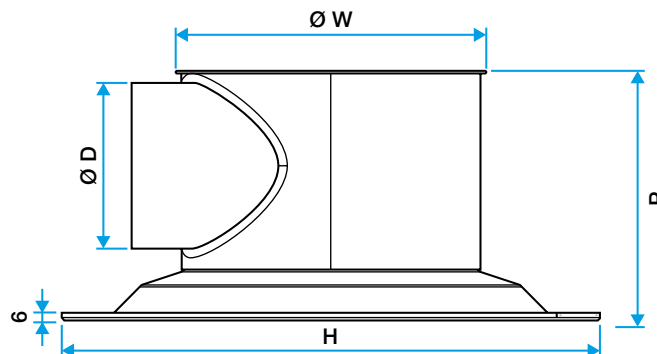
Désignations	References
Replacement G2 filter for TWISTED® (pack of 5) D200	11053949
Replacement G4 filter for TWISTED® (pack of 5) D200	11053948
Replacement G4 filter for TWISTED® (pack of 5) D250	11053980
Replacement G2 filter for TWISTED® (pack of 5) D250	11053981

Options

base
ACOU
DECORHC
F7
PEINTHC
RAL1
RAL2
RAL4
THER

Dimensional data

References	A x B* (mm)	P (mm)	W (mm)
11003374	555	298	366



Swirl jet diffuser

11003374

TWISTED® 850 Circular (PLASTER)

Airflow data

References	Comfort airflow per metre for Lw 40 dB(A) (m³/h)
11003374	600