

Swirl jet diffuser**11051164**
TWISTED® 850W D200 600x600

The TWISTED® 850 is a high-induction swirl jet diffuser for air diffusion in commercial buildings.



TWISTED 850W D200 NLOG AXB 600X600

PRODUCT BENEFITS

- ideal for variable-airflow systems,
- excellent mixing rate: Exclusive Aldes patent,
- compatible with AldesArchitect® range.

Principles of operation

The TWISTED® 850 diffuser is designed to be installed in place of a standard ceiling tile, providing high-induction fixed diffusion with a swirl air jet across a wide range of airflows in a single diffuser.

Product description

The TWISTED® 850 is a high-induction swirl jet diffuser for air diffusion in ventilation or air conditioning systems in commercial buildings with high mixing rates. It is ideal for air supply with large temperature differences and low ceiling heights, and for variable-airflow systems (e.g. ducted fan systems). It replaces a 600 x 600 mm or 675 x 675 mm suspended ceiling tile. It is suitable for T-bar and Fine Line frame systems. It is also available in insulated and return air versions, with and without filter. Available in a standard epoxy coating in RAL 9003 matt 30% gloss or as per the RAL chart. The AldesArchitect® range of finishes is available for this diffuser.

Fields of application

Non-residential buildings

Installation

The TWISTED® 850 diffuser is installed on the ceiling. It must be attached to the concrete slab using the tabs on the plenum.

Reference arguments

- Twisted opening return air diffuser with filter
- Ideal for return air in ducted convention fan systems
- Elliptical flat filter G2 efficiency supplied - M1 fire rating
- Installed in place of 600x600 panel on T-Bar suspended ceiling system.
- Attachment to concrete ceiling using brackets on the plenum
- RAL 9010 white 30% gloss
- D200 connection

Main characteristics

- high induction diffusion with swirl air jet,
- system offers high mixing rate,
- ideal for cold and hot supply air with high T° differences under low ceiling heights,
- ideal for variable-airflow systems,
- designed to replace a suspended ceiling tile,
- painted steel diffuser cone and central disc,
- steel compensation plate suitable for 600 x 600 mm or 675 x 675 mm ceiling tiles with «Tbar» or «Fine-Line» frame systems,
- cylindrical galvanised steel plenum for direct attachment to circular duct Ø 200 supplied as standard,
- finish:
 - epoxy coating RAL 9010 white matt 30%,
 - AldesArchitect®.
- attachment to concrete ceiling using the bracket on the plenum.

Swirl jet diffuser

11051164

TWISTED® 850W D200 600x600

Supplementary characteristics

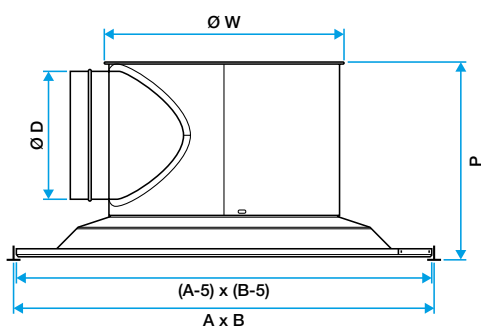
- accessories:
 - G2 elliptical flat filter (ISO coarse 40%) supplied with return diffuser,
- option:
 - sound-proofing,
 - thermal insulation
 - bridge system F7 attachment.

Consumables

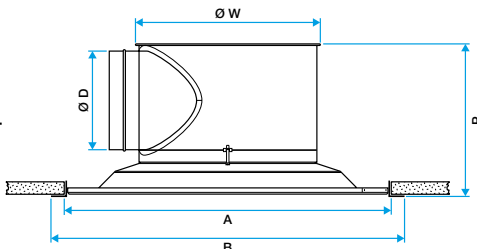
Désignations	References
Replacement G2 filter for TWISTED® (pack of 5) D200	11053949
Replacement G4 filter for TWISTED® (pack of 5) D200	11053948

Dimensional data

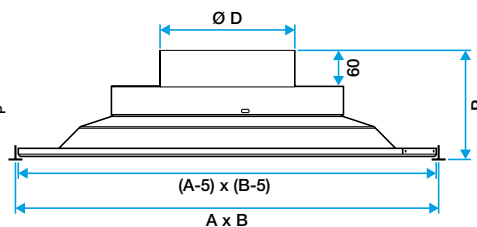
References	A x B* (mm)	L x H (mm)	P (mm)	Ø D (mm)	Dimensions A x B (mm)
11051164	600X600	600X600	170	200	600X600



Diffuseur Twisted 850 pour dalles carrées



Diffuseur Twisted 850 pour plafond staff ou BA13



Diffuseur Twisted 850 reprise vrac pour dalles carrées

Airflow data

References	Comfort airflow < 35 dB(A) (m³/h)
11051164	150 - 600

Installation visual 1

