

**Connector****11018569****Trident sleeve for RT Flex**

The RT Flex provides a durable, airtight terminal connection between the riser and the terminal, on multi-occupancy residential or commercial building systems.



RT Flex connection 10-30 cm

RT Flex connection 30-120 cm

**PRODUCT BENEFITS**

- guaranteed airtight seal on riser/terminal connection,
- "all-in-one" product for fast, rapid installation.

**Product description**

The RT Flex airtight connection provides a durable, airtight terminal connection between the riser and the terminal, on multi-occupancy residential or non-residential systems. RT Flex is an "all-in-one" product which features a female connector, an extendible duct and a trident sleeve for connection to the terminal and support in the plasterboard. RT Flex is compatible with all ALDES Ø125 terminals except gas terminals. It is compatible with standard and sealed ducting.

**Fields of application**

Multi-occupancy residential housing, New, Refurbishment, Non-residential buildings

**Installation**

- connection to the riser is made using the metal female connector, preferably to a sealed connection (in this case, no need for sealant or screws),
- connection to the terminal requires the plastic sleeve to ensure an airtight join,
- the trident sleeve is fixed to the plastic sleeve by rotation and supports the assembly mechanically in the plasterboard,
- installation possible in all types of plasterboard less than 18 mm thick.

**Reference arguments**

Application:

- Compatible with all Aldes Ø125 mm terminals (except gas terminals) and standard or sealed ducting
- Installation in all types of plasterboard less than 18 mm thick.

Description: White plastic trident sleeve that clips onto the end piece while rotating about itself, and which offers mechanical resistance in the plasterboard.

**Main characteristics**

- Composition of connection:
  - a metal female connector preferably slotted on to a sealed connection (no need for sealant or screws in this case),
  - Alflex aluminium duct extensible from 10 to 30 cm or 30 to 120 cm,
  - a plastic sleeve comprising an end piece to ensure the terminal slots into the flexible duct with an airtight connection, as well as a Trident sleeve clipped onto the end-piece while rotating about itself and which ensures mechanical grip inside plasterboard when the assembly is pushed in.
- installation possible in all types of plasterboard less than 18 mm thick,
- M0 fire rating.

**Dimensional data**

References	Ø (mm)
11018569	125

Connector

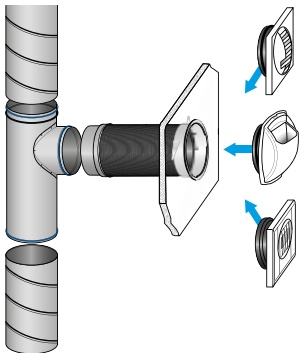
## 11018569

### Trident sleeve for RT Flex

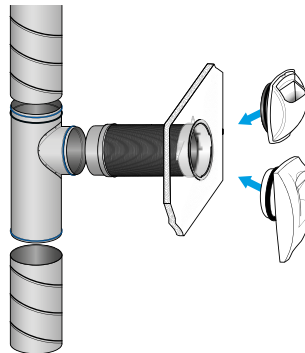
Regulatory data

References	Fire protection rating
11018569	M0

Installation visual 1



Mise en oeuvre RT Flex et bouches



Mise en oeuvre RT Flex et bouches